



## KIT ADMISSION DIRECTE DIRECT INDUCTION KIT

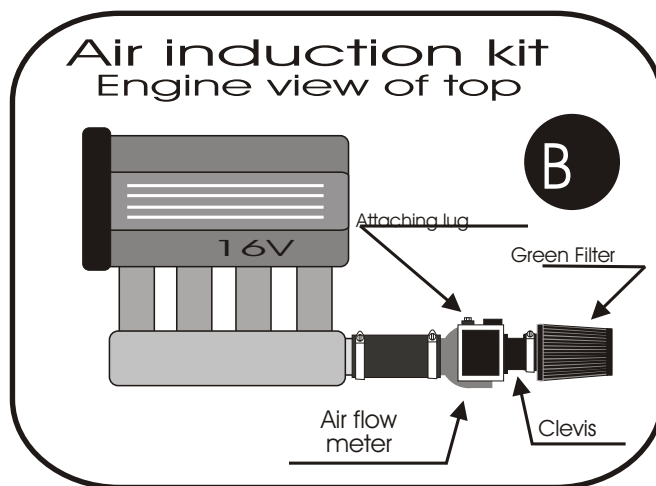
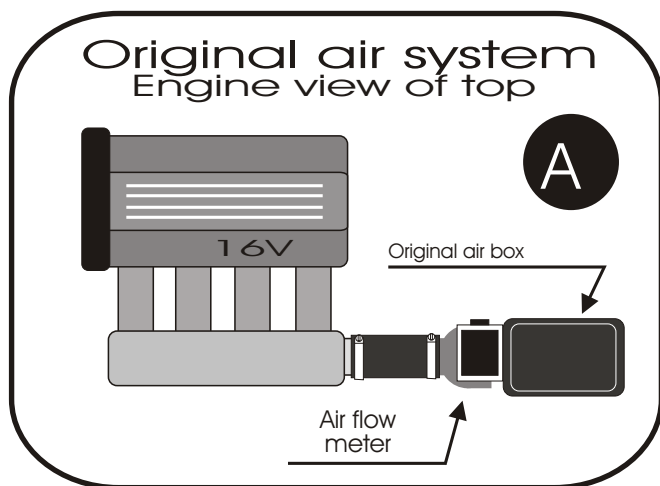
PEUGEOT 405 MI16/GRI/SRI before 92  
CITROEN BX 16V

S.A.S.  
**Chrono'Sport**  
122 rue du faubourg Saint Jean  
ZA de l'AVELON - 60000 BEAUVAIS -  
FRANCE  
00.33.3.44.02.64.64  
00.33.3.44.02.87.10

**Part n° :P10**

# FITTING INSTRUCTION

- Take off air filter housing (diagram A).
- Take off air flow meter from air filter housing.
- Put clevis on the air flowmeter (diagram B).
- Put direct induction kit with the attaching lug on the air flow meter.



### IMPORTANT:

The running of your engine is linked directly with the maintenance of the air filter. Clean your air filter every 7000 kms or 4500 miles with Green cleaning products..

### WARRANTY:

The air filter guarantee is for defects in materials and workmanship only. Guarantee is void if the air filter is damaged by an accident, unreasonable use, neglect, misuse, abuse, improper installation or other causes not arising out of defects in materials and workmanship. The induction kit is a technical product so it is necessary to have some basic mechanical skills. If problems do not hesitate to have your induction kit fitted by a professional.