



KIT ADMISSION DIRECTE DIRECT INDUCTION KIT

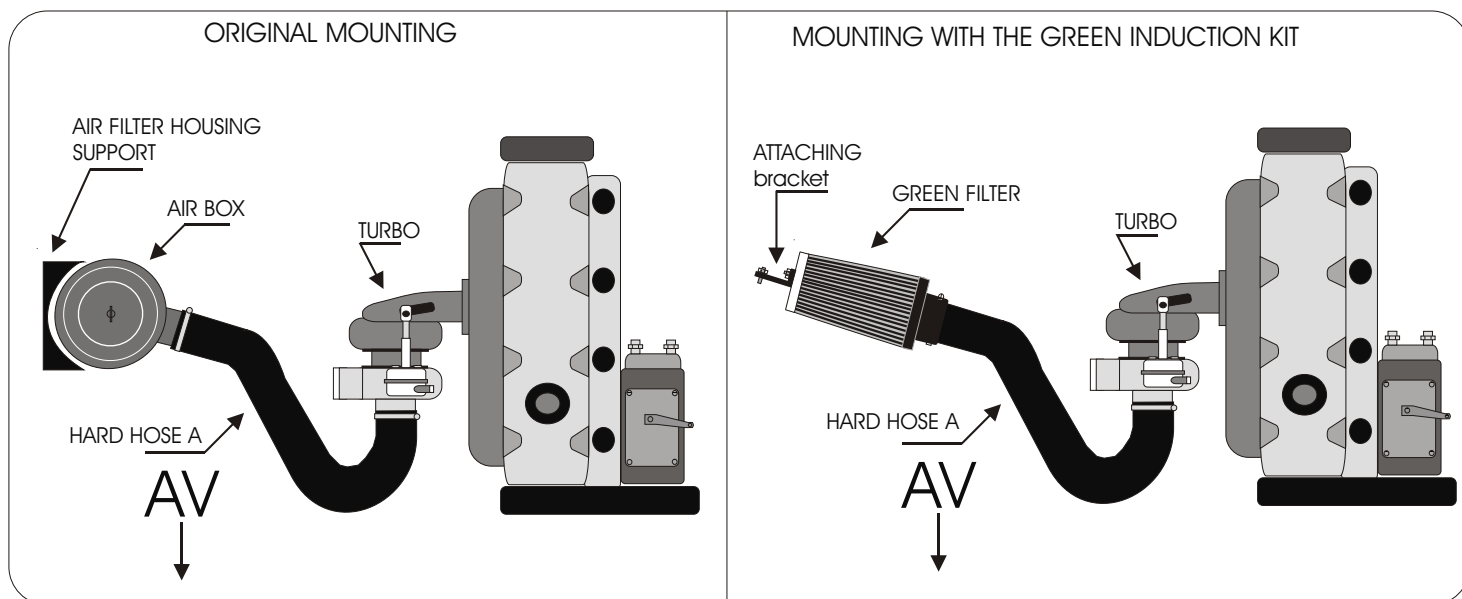
RENAULT 21 and 25
TURBO DIESEL

S.A.S.
Chrono'Sport
122 rue du faubourg Saint Jean
ZA de l'AVELON - 60000 BEAUVAIS -
FRANCE
00.33.3.44.02.64.64
00.33.3.44.02.87.10

Part n° :P59

FITTING INSTRUCTION

- 1)- Remove the air filter housing support.
- 2)- Connect the aluminium sleeve supply in the induction which is inside the hard hose A.
- 3)- Connect the GREEN filter to the hard hose A (the aluminium sleeve must rigid to the hard hose A in order to tighten the filter).
- 4)- Connect the attaching bracket on one of the studs.



IMPORTANT:

The running of your engine is linked directly with the maintenance of the air filter. Clean your air filter every 7000 kms or 4500 miles with Green cleaning products..

WARRANTY:

The air filter guarantee is for defects in materials and workmanship only. Guarantee is void if the air filter is damaged by an accident, unreasonable use, neglect, misuse, abuse, improper installation or other causes not arising out of defects in materials and workmanship. The induction kit is a technical product so it is necessary to have some basic mechanical skills. If problems do not hesitate to have your induction kit fitted by a professional.