



KIT ADMISSION DIRECTE DIRECT INDUCTION KIT

FIAT TIPO 1.8Li 16V

S.A.S.

Chrono'Sport

122 rue du faubourg Saint Jean
ZA de l'AVELON - 60000 BEAUVAIS -
FRANCE

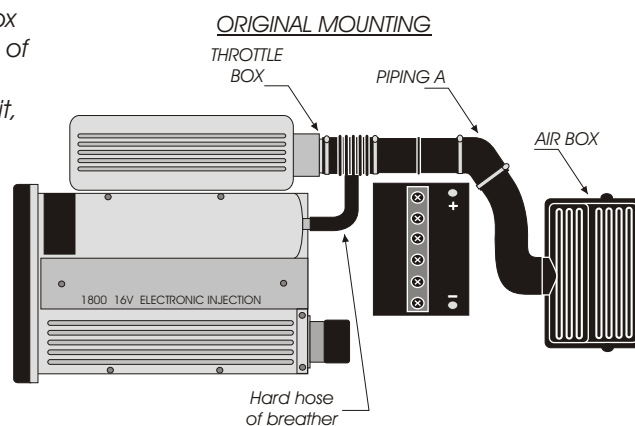
 00.33.3.44.02.64.64

 00.33.3.44.02.87.10

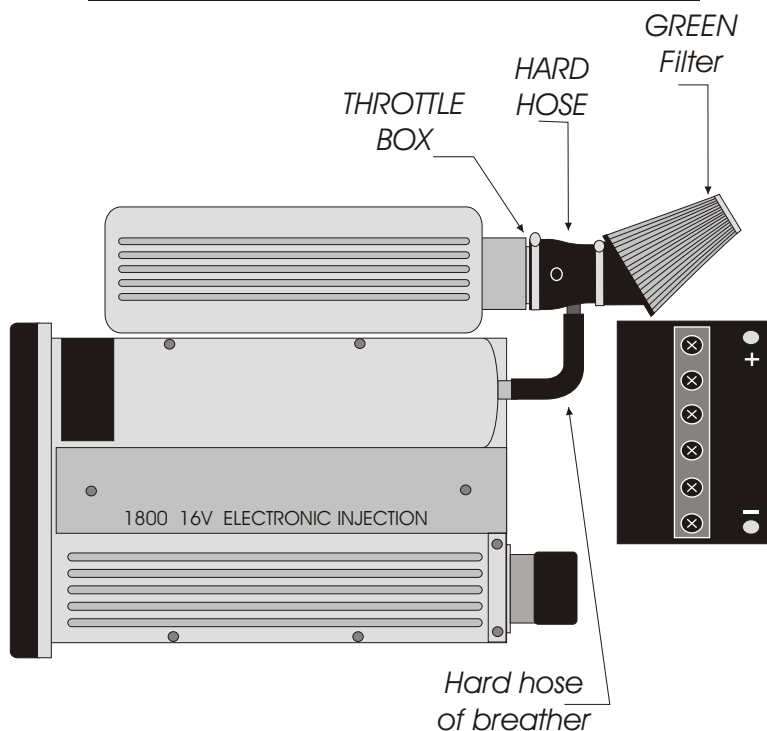
Part n° :P72

FITTING INSTRUCTION

- 1)- Remove the air box.
- 2)- Connect the hard hose of GREEN induction to the throttle box
- 3)- Connect the hard hose of the breather to the the hard hose of the induction kit.
- 4)- Connect the GREEN filter to the hard hose of the induction kit, connect sleeve inside to secure hard hose



MOUNTING WITH THE GREEN INDUCTION



IMPORTANT:

The running of your engine is linked directly with the maintenance of the air filter. Clean your air filter every 7000 kms or 4500 miles with Green cleaning products..

WARRANTY:

The air filter guarantee is for defects in materials and workmanship only. Guarantee is void if the air filter is damaged by an accident, unreasonable use, neglect, misuse, abuse, improper installation or other causes not arising out of defects in materials and workmanship. The induction kit is a technical product so it is necessary to have some basic mechanical skills. If problems do not hesitate to have your induction kit fitted by a professional.

Green Technical dept : TEL: 00.33.3.44.02.64.64