



KIT ADMISSION DIRECTE DIRECT INDUCTION KIT

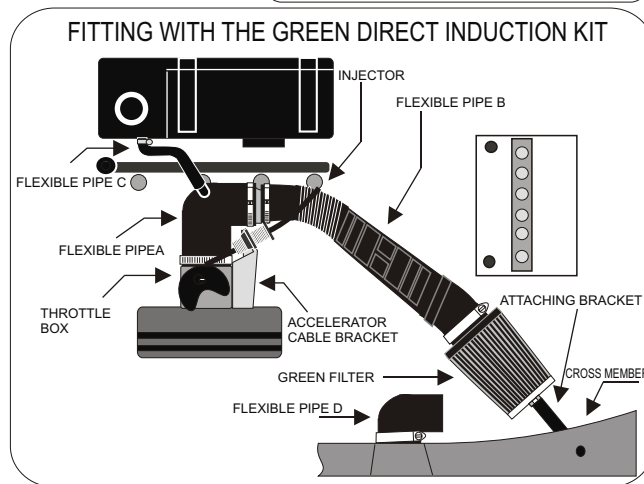
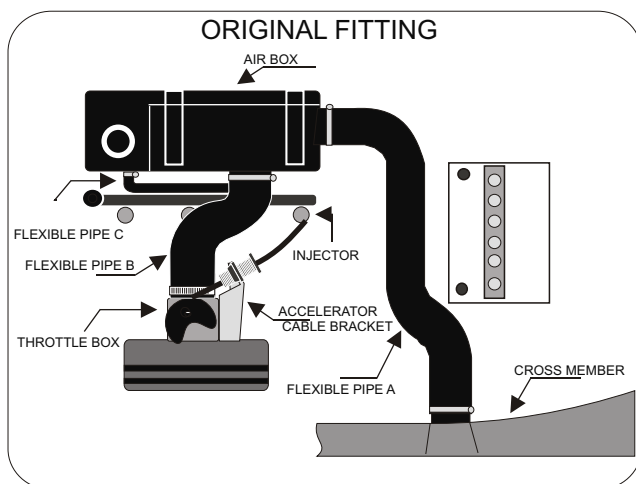
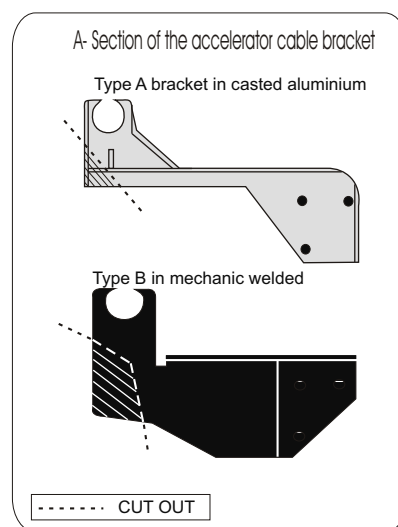
PEUGEOT 405 SRI 2L
without flow meter

S.A.S.
Chrono'Sport
122 rue du faubourg Saint Jean
ZA de l'AVELON - 60000 BEAUVAIS -
FRANCE
00.33.3.44.02.64.64
00.33.3.44.02.87.10

Part n° :P95

FITTING INSTRUCTION

- 1)- Remove the flexible pipes A and B.
- 2)- Remove the accelerator cable bracket so as to cut it. **BE CAREFUL** : There are two sorts of fitting on this car : one in casted aluminium and one in mechanic welded metal (see diagram A).
Move the accelerator cable bracket cut and turn the two right injectors a quarter turn clockwise, to avoid the the injector connectors contacting the induction kit.
- 3)-Fit the flexible pipe of the kit to the throttle box. **BE CAREFUL**, when positioning this clamp, the screwing head must be under the throttle box to avoid a lock on the connector of the flexible pipe A.
- 4)-Fit and screw the flexible pipe B of the kit to the aluminium sleeve of the flexible pipe A .
- 5)- Temporarily fix the attaching bracket to the GREEN filter, then rest the attaching bracket on the upper cross member and mark the hole.
Make a 8.5 mm diameter hole in the cross member.
CAUTION : a light is situated just below the cross member. Once the cross member is drilled, dismantle the attaching bracket from the filter and fix under the cross member. The screw provided is put on the side of the cross member and the nut on the side of the bracket, tighten the bracket to the cross member and then fix the filter to the attaching bracket.
- 6)-Fit and tighten the flexible pipe D to the air entry of the face made for the GREEN filter.



IMPORTANT:

The running of your engine is linked directly with the maintenance of the air filter. Clean your air filter every 7000 kms or 4500 miles with Green cleaning products..

WARRANTY:

The air filter guarantee is for defects in materials and workmanship only. Guarantee is void if the air filter is damaged by an accident, unreasonable use, neglect, misuse, abuse, improper installation or other causes not arising out of defects in materials and workmanship. The induction kit is a technical product so it is necessary to have some basic mechanical skills. If problems do not hesitate to have your induction kit fitted by a professional.