



## KIT ADMISSION DIRECTE DIRECT INDUCTION KIT

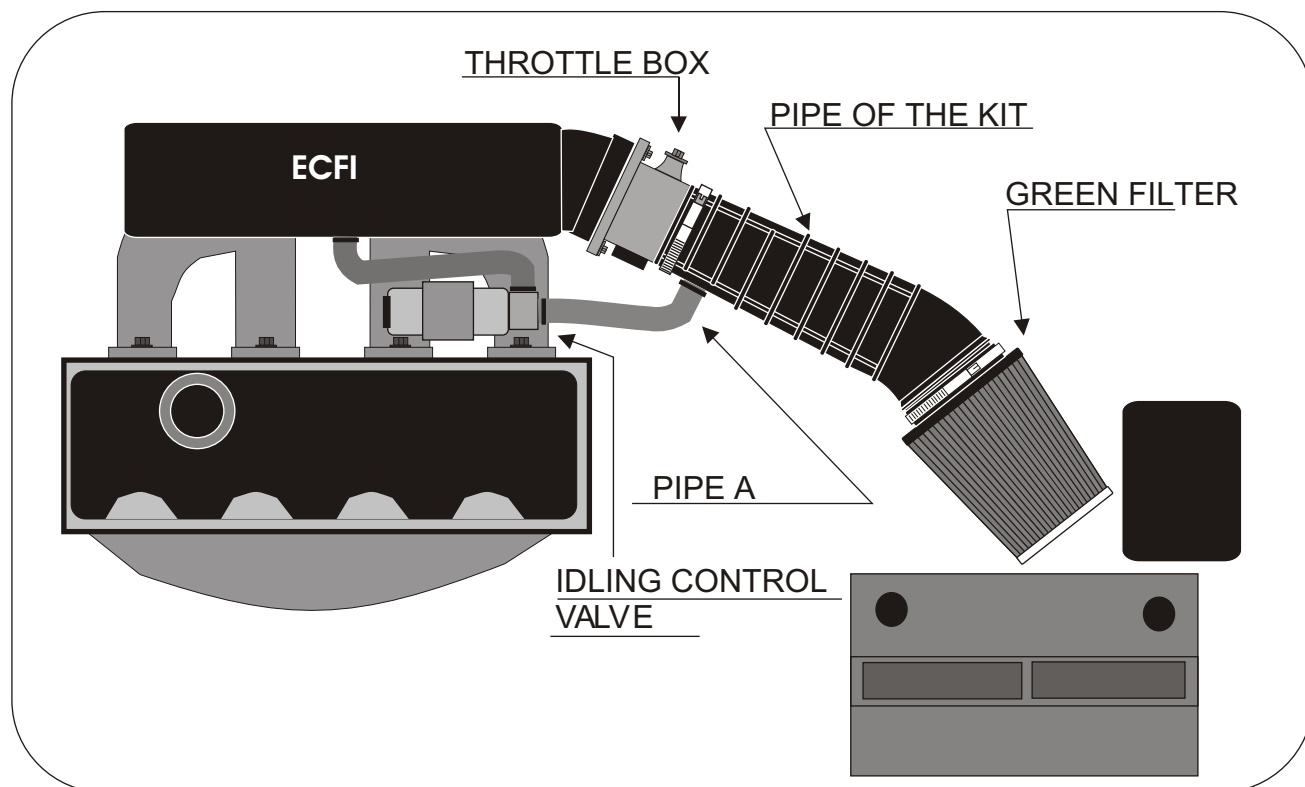
PONY & EXCEL 1.3L 12V  
(fitting without flow meter) 94<

S.A.S.  
**Chrono'Sport**  
122 rue du faubourg Saint Jean  
ZA de l'AVELON - 60000 BEAUVAIS -  
FRANCE  
00.33.3.44.02.64.64  
00.33.3.44.02.87.10

**Part n° :P107**

# FITTING INSTRUCTION

- Remove the pipe which links the air box to the throttle box.
- Remove the complete air box.
- Fix the pipe of the kit to the throttle box.
- Fix the filter to the pipe of the kit with the sleeve and the clip provided.
- Adjust the pipe of the kit so as to place the filter correctly.
- Fix the pipe A to the pipe of the kit with the connector provided.
- Adjust the filter so that it does not touch a mechanical part.



### IMPORTANT:

The running of your engine is linked directly with the maintenance of the air filter. Clean your air filter every 7000 kms or 4500 miles with Green cleaning products..

### WARRANTY:

*The air filter guarantee is for defects in materials and workmanship only. Guarantee is void if the air filter is damaged by an accident, unreasonable use, neglect, misuse, abuse, improper installation or other causes not arising out of defects in materials and workmanship. The induction kit is a technical product so it is necessary to have some basic mechanical skills. If problems do not hesitate to have your induction kit fitted by a professional.*

Green Technical dept : TEL: 00.33.3.44.02.64.64