





KIT ADMISSION DIRECTE DIRECT INDUCTION KIT

RENAULT 5 ALPINE TURBO

S.A.S.
Chrono'Sport
122 rue du faubourg Saint Jean
ZA de l'AVELON - 60000 BEAUVAIS -
FRANCE

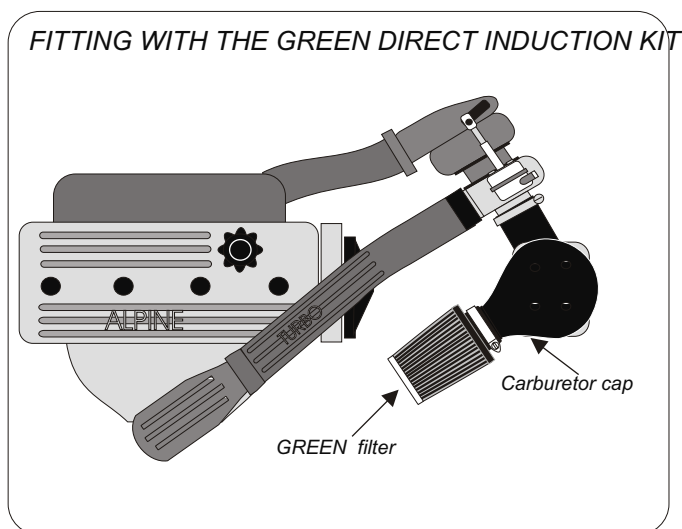
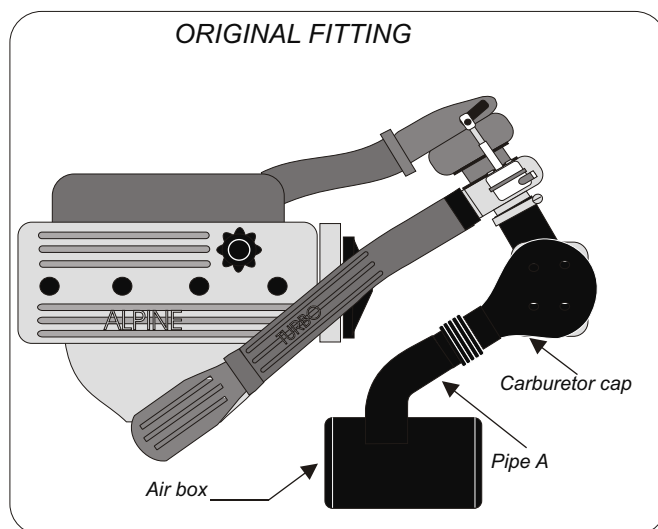
 00.33.3.44.02.64.64

 00.33.3.44.02.87.10

Part n° :P117

FITTING INSTRUCTION

- 1)- Remove the air box and the pipe A.
- 2)- Remove the plastic protection off the carburetor cap.
- 3°)- Fix the GREEN filter onto the carburetor cap.



IMPORTANT:

The running of your engine is linked directly with the maintenance of the air filter. Clean your air filter every 7000 kms or 4500 miles with Green cleaning products..

WARRANTY:

The air filter guarantee is for defects in materials and workmanship only. Guarantee is void if the air filter is damaged by an accident, unreasonable use, neglect, misuse, abuse, improper installation or other causes not arising out of defects in materials and workmanship. The induction kit is a technical product so it is necessary to have some basic mechanical skills. If problems do not hesitate to have your induction kit fitted by a professional.

Green Technical dept : TEL: 00.33.3.44.02.64.64