



KIT ADMISSION DIRECTE DIRECT INDUCTION KIT

PEUGEOT 306 XSI WITH ABS

S.A.S.
Chrono'Sport
122 rue du faubourg Saint Jean
ZA de l'AVELON - 60000 BEAUVAIS -
FRANCE

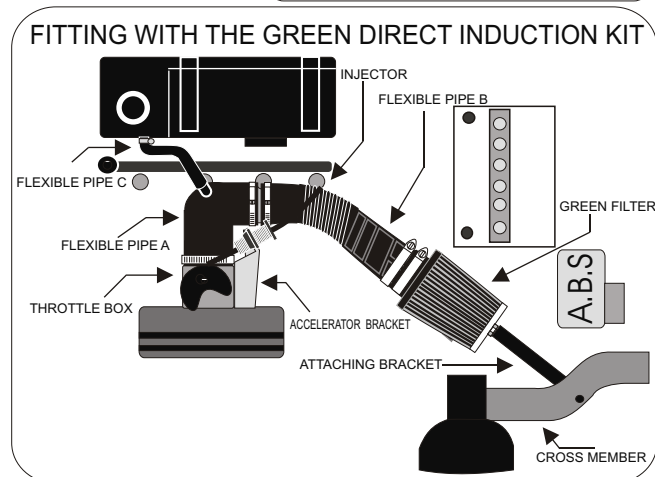
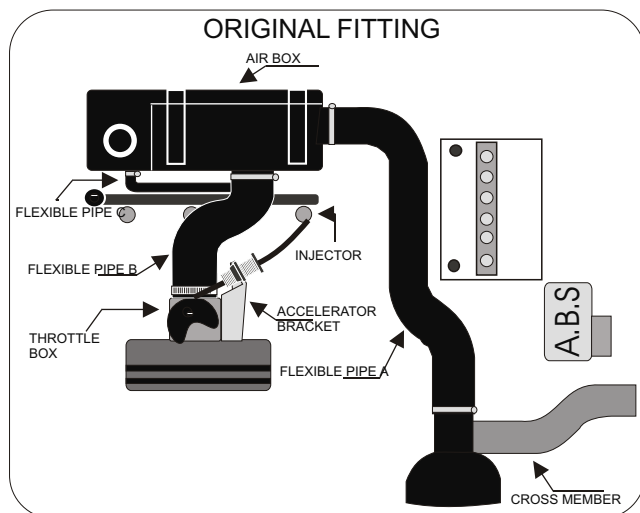
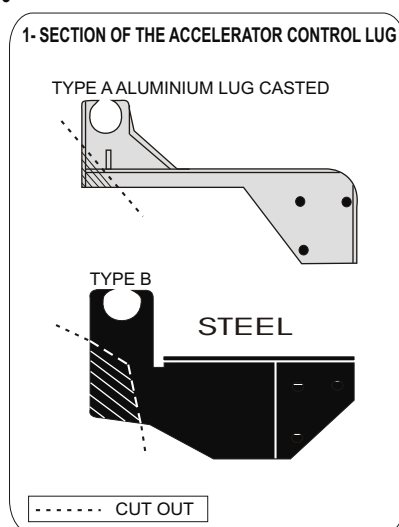
 00.33.3.44.02.64.64

 00.33.3.44.02.87.10

Part n° :P119

FITTING INSTRUCTION

- 1)- Remove the pipes A and B.
- 2)- Remove accelerator control bracket and cut it as in fig 1. CAUTION : there are two types of bracket
- 3)- Replace the accelerator control bracket then turn the two injector so to avoid contact with the induction kit.
- 4)- Attach pipe A of the kit to the throttle box. CAUTION : make sure to attach the clamp when tightening is underneath so that it avoids the accelerator sticking.
- 5)- Fix the flexible pipe C to the induction kit.
Fix the flexible pipe B to the flexible pipe A and then fix the GREEN filter onto the pipe A.
- 6)- Fix the attaching bracket onto the GREEN filter and locate onto the upper cross member.
Then mark and drill a 8.5 mm hole so to attach the bracket.
- 7)- Fix the bracket in place and tighten all connections.



IMPORTANT:

The running of your engine is linked directly with the maintenance of the air filter. Clean your air filter every 7000 kms or 4500 miles with Green cleaning products..

WARRANTY:

The air filter guarantee is for defects in materials and workmanship only. Guarantee is void if the air filter is damaged by an accident, unreasonable use, neglect, misuse, abuse, improper installation or other causes not arising out of defects in materials and workmanship. The induction kit is a technical product so it is necessary to have some basic mechanical skills. If problems do not hesitate to have your induction kit fitted by a professional.