




## KIT ADMISSION DIRECTE DIRECT INDUCTION KIT


OPEL OMEGA B 2.5L TURBO DIESEL

S.A.S.

**Chrono'Sport**

122 rue du faubourg Saint Jean  
ZA de l'AVELON - 60000 BEAUVAIS -  
FRANCE

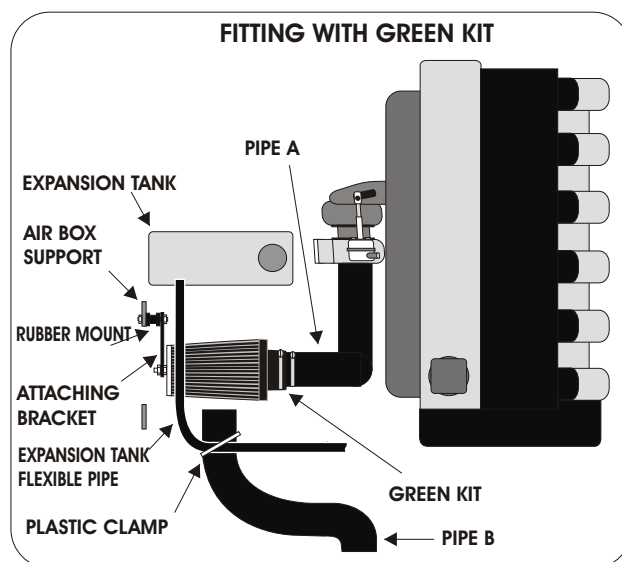
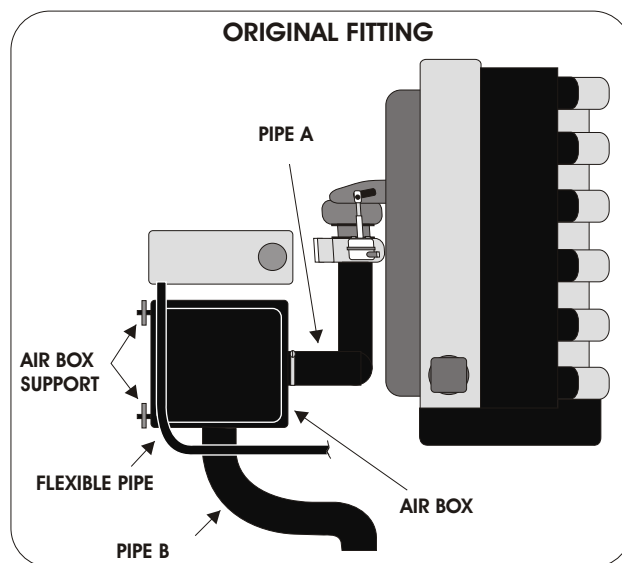
 00.33.3.44.02.64.64

 00.33.3.44.02.87.10

**Part n° :P127**

# FITTING INSTRUCTION

- 1)-Remove the complete air box.
- 2)-Fix the steel sleeve into the pipe A.
- 3)-Fix the green filter onto pipe A then fix the attaching bracket onto the green filter.
- 4)-Mark a hole on the air box support then remove the green filter and drill a 6mm diameter hole.
- 5)-Fix the rubbermount onto the hole then refix the green filter onto pipe A and fix the attaching bracket onto the rubbermount.
- 6)-Fix the pipe B in position with the plastic clamp.



### IMPORTANT:

The running of your engine is linked directly with the maintenance of the air filter. Clean your air filter every 7000 kms or 4500 miles with Green cleaning products..

### WARRANTY:

The air filter guarantee is for defects in materials and workmanship only. Guarantee is void if the air filter is damaged by an accident, unreasonable use, neglect, misuse, abuse, improper installation or other causes not arising out of defects in materials and workmanship. The induction kit is a technical product so it is necessary to have some basic mechanical skills. If problems do not hesitate to have your induction kit fitted by a professional.

Green Technical dept : TEL: 00.33.3.44.02.64.64