



KIT ADMISSION DIRECTE DIRECT INDUCTION KIT

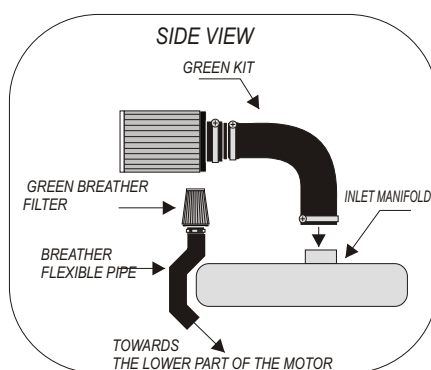
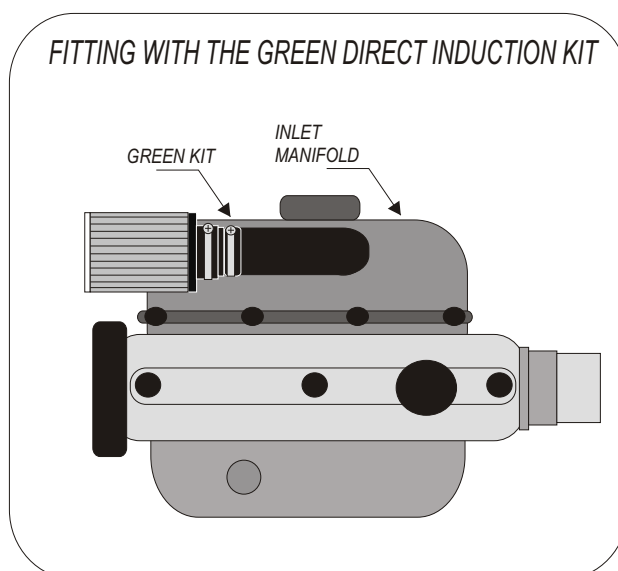
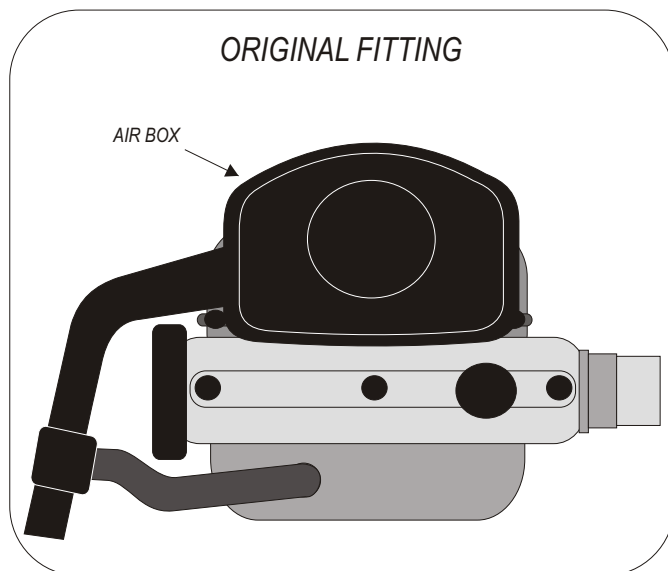
VW GOLF III 1.4L Multipoint inj.

S.A.S.
Chrono'Sport
122 rue du faubourg Saint Jean
ZA de l'AVELON - 60000 BEAUVAIS -
FRANCE
00.33.3.44.02.64.64
00.33.3.44.02.87.10

Part n° :P149

FITTING INSTRUCTION

- 1)- Remove the complete air box..
- 2)- Fix and tighten the GREEN kit to the throttle box of the inlet manifold.
- 3)- Fix and tighten the GREEN filter to the breather flexible pipe.



IMPORTANT:

The running of your engine is linked directly with the maintenance of the air filter. Clean your air filter every 7000 kms or 4500 miles with Green cleaning products..

WARRANTY:

The air filter guarantee is for defects in materials and workmanship only. Guarantee is void if the air filter is damaged by an accident, unreasonable use, neglect, misuse, abuse, improper installation or other causes not arising out of defects in materials and workmanship. The induction kit is a technical product so it is necessary to have some basic mechanical skills. If problems do not hesitate to have your induction kit fitted by a professional.

Green Technical dept : TEL: 00.33.3.44.02.64.64