



KIT ADMISSION DIRECTE DIRECT INDUCTION KIT

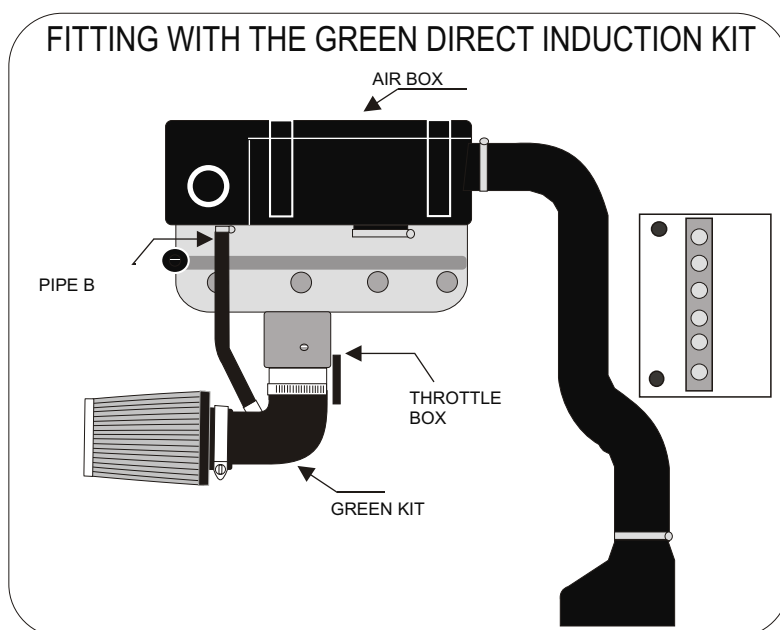
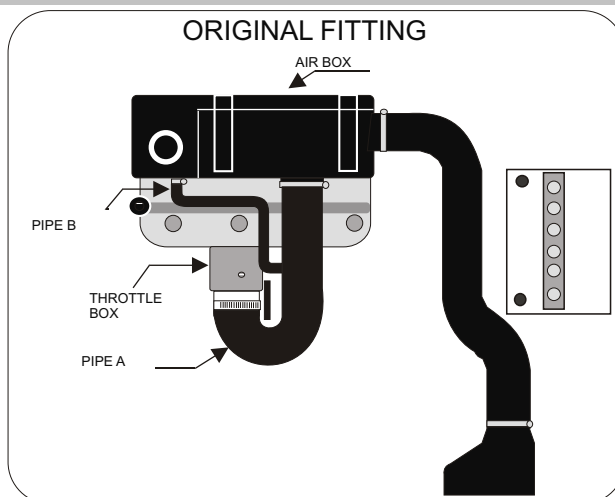
PEUGEOT 306 1.8L
MULTIPOINT INJECTION

S.A.S.
Chrono'Sport
122 rue du faubourg Saint Jean
ZA de l'AVELON - 60000 BEAUVAIS -
FRANCE
00.33.3.44.02.64.64
00.33.3.44.02.87.10

Part n° :P154

FITTING INSTRUCTION

- 1)- Remove the pipe A.
- 2)- Fix the GREEN direct induction to the throttle box.
- 3)- Fix the GREEN direct induction kit to the pipe B.
- 4)- Tighten the clamp of the kit in order that the GREEN filter does not have contact with a mechanical part.



IMPORTANT:

The running of your engine is linked directly with the maintenance of the air filter. Clean your air filter every 7000 kms or 4500 miles with Green cleaning products..

WARRANTY:

The air filter guarantee is for defects in materials and workmanship only. Guarantee is void if the air filter is damaged by an accident, unreasonable use, neglect, misuse, abuse, improper installation or other causes not arising out of defects in materials and workmanship. The induction kit is a technical product so it is necessary to have some basic mechanical skills. If problems do not hesitate to have your induction kit fitted by a professional.

Green Technical dept : TEL: 00.33.3.44.02.64.64