



## KIT ADMISSION DIRECTE DIRECT INDUCTION KIT

PEUGEOT 406 COUPE  
V6 24V

S.A.S.

**Chrono'Sport**  
122 rue du faubourg Saint Jean  
ZA de l'AVELON - 60000 BEAUVAIS -  
FRANCE



00.33.3.44.02.64.64

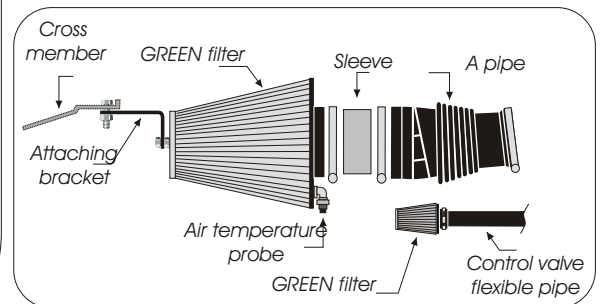
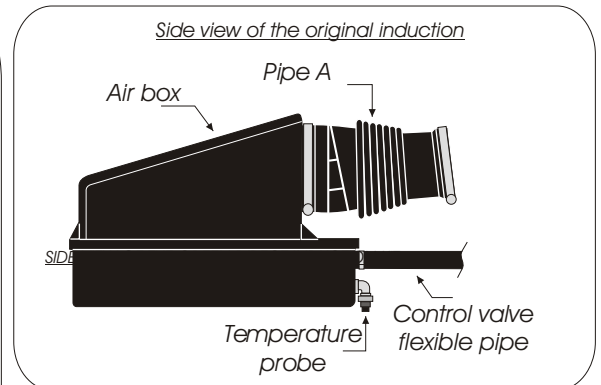
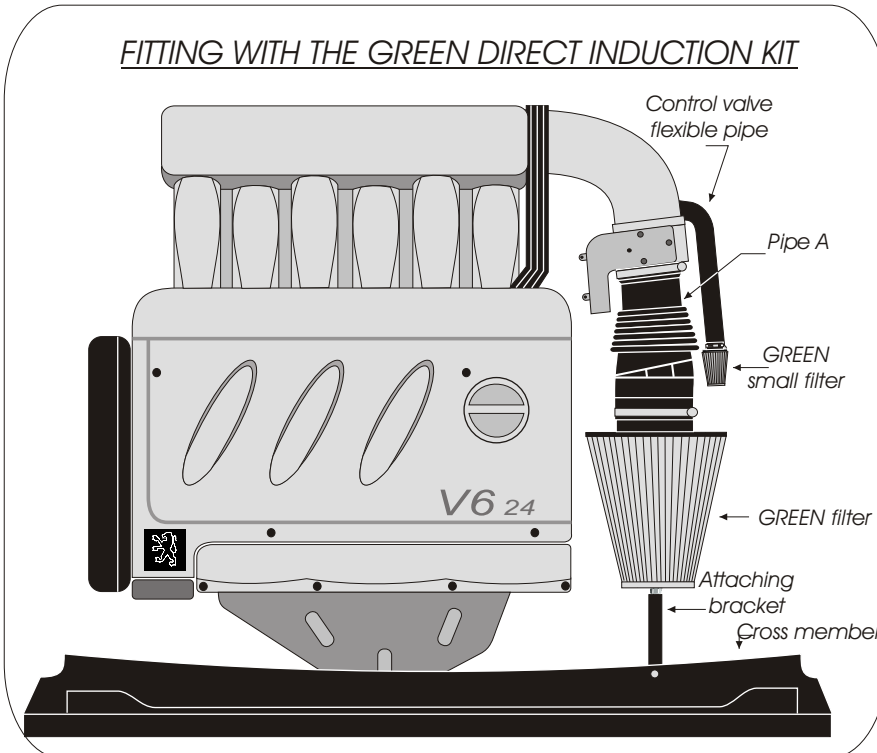
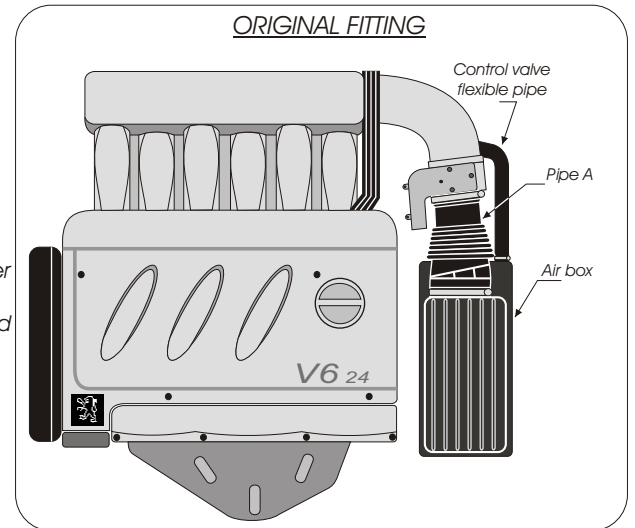


00.33.3.44.02.87.10

**Part n° :P155**

# FITTING INSTRUCTION

- 1)- Remove the complete air box..
- 2)- Fix and tighten the steel sleeve to the pipe A.
- 3)- Fix and tighten the small GREEN filter with the connector to the control valve.
- 4)- Fix the air temperature probe to the base of the Green filter , a hole is made for that, then fix and tighten the Green filter to the steel sleeve of the pipe A.
- 5)- Fix the attaching bracket to the GREEN filter then place it under the cross member
- 6)- Locate the position of the hole of the attaching bracket on the cross member and drill a hole. CAUTION : you must drill slowly because a electric harness is just underneath.
- 7)- Fix the attaching bracket to the cross member with the screws provided.
- 8)- Fix the control valve flexible pipe with the plastic clamp provided in the kit.



### IMPORTANT:

The running of your engine is linked directly with the maintenance of the air filter. Clean your air filter every 7000 kms or 4500 miles with Green cleaning products..

### WARRANTY:

The air filter guarantee is for defects in materials and workmanship only. Guarantee is void if the air filter is damaged by an accident, unreasonable use, neglect, misuse, abuse, improper installation or other causes not arising out of defects in materials and workmanship. The induction kit is a technical product so it is necessary to have some basic mechanical skills. If problems do not hesitate to have your induction kit fitted by a professional.