



KIT ADMISSION DIRECTE **DIRECT INDUCTION KIT**

PEUGEOT 306 PHASE 2
1.4L Multipoint injection 75HP
& CITROEN SAXO 1.4L
Multipoint injection

S.A.S.
Chrono'Sport
122 rue du faubourg Saint Jean
ZA de l'AVELON - 60000 BEAUVAIS -
FRANCE
00.33.3.44.02.64.64
00.33.3.44.02.87.10

Part n° :P169

FITTING INSTRUCTION

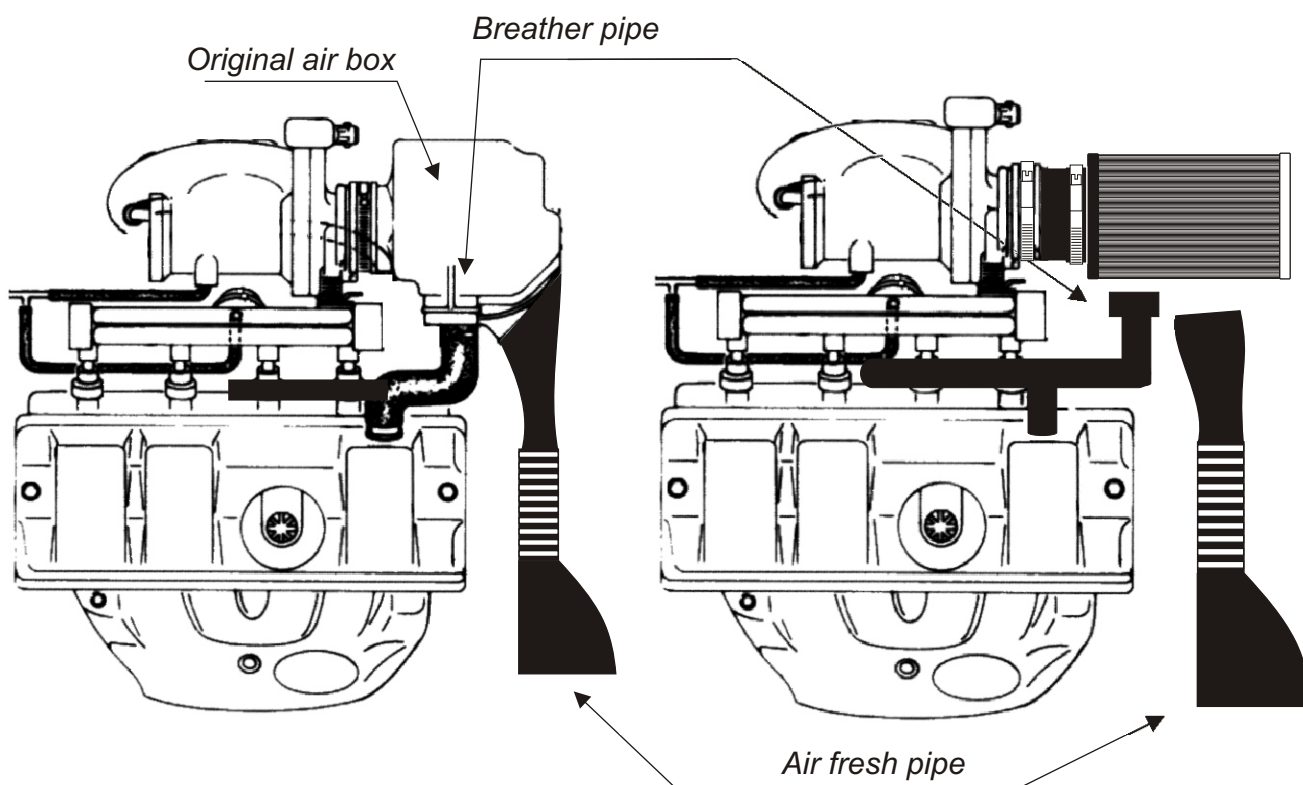
Disconnect the oil vapor recycling pipe on the original air box.

NOTE:
Remove the oil vapor pipe.

Remove the complete original air box.

Fix the green kit to the throttle box taking care to remove the sealant.

The air entry pipe must be bent towards the green filter (see diagram).



IMPORTANT:

The running of your engine is linked directly with the maintenance of the air filter. Clean your air filter every 7000 kms or 4500 miles with Green cleaning products..

WARRANTY:

The air filter guarantee is for defects in materials and workmanship only. Guarantee is void if the air filter is damaged by an accident, unreasonable use, neglect, misuse, abuse, improper installation or other causes not arising out of defects in materials and workmanship. The induction kit is a technical product so it is necessary to have some basic mechanical skills. If problems do not hesitate to have your induction kit fitted by a professional.

Green Technical dept : TEL: 00.33.3.44.02.64.64