




## KIT ADMISSION DIRECTE DIRECT INDUCTION KIT

ALFA ROMEO 156  
1.8L 16V

S.A.S.  
**Chrono'Sport**  
122 rue du faubourg Saint Jean  
ZA de l'AVELON - 60000 BEAUVAIS -  
FRANCE

 00.33.3.44.02.64.64

 00.33.3.44.02.87.10

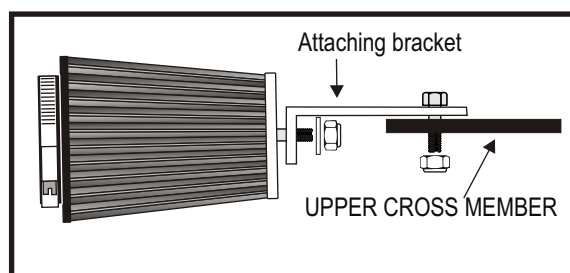
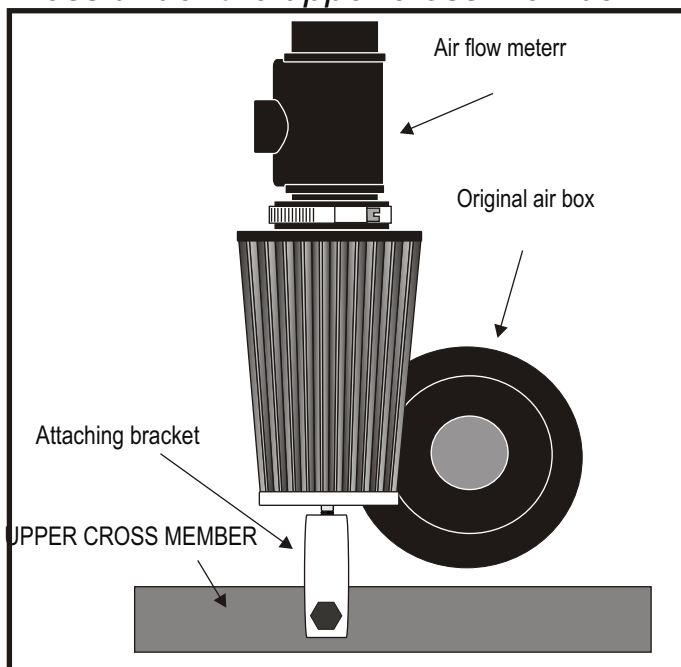
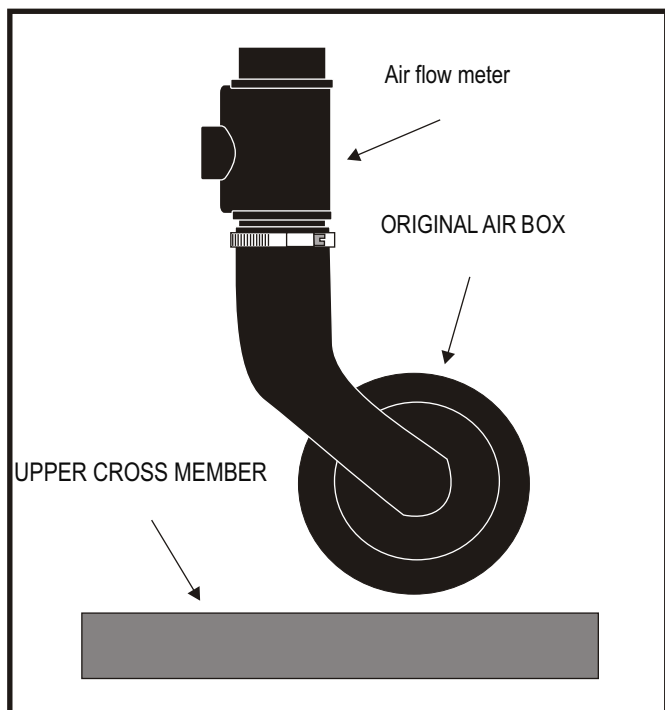
**Part n° :P182**

## FITTING INSTRUCTION

- 1)- Remove pipe which links the air box to the air flow meter.
- 2)- Fix GREEN filter onto the air flow meter .
- 3)- Fix the attaching bracket to the upper cross member by drilling a 8.5mm diameter hole.Fix in place with the fixings.

**CAUTION :** do not pierce the electric harness under the upper cross member.

- 4)- Fix the green filter to the attaching bracket using the mounting lug.



### IMPORTANT:

The running of your engine is linked directly with the maintenance of the air filter. Clean your air filter every 7000 kms or 4500 miles with Green cleaning products.

### WARRANTY:

The air filter guarantee is for defects in materials and workmanship only. Guarantee is void if the air filter is damaged by an accident, unreasonable use, neglect, misuse, abuse, improper installation or other causes not arising out of defects in materials and workmanship. The induction kit is a technical product so it is necessary to have some basic mechanical skills. If problems do not hesitate to have your induction kit fitted by a professional.