





## KIT ADMISSION DIRECTE DIRECT INDUCTION KIT

RENAULT CLIO 1.2L Multipoint injection  
(D7F engine)

S.A.S.  
**Chrono'Sport**  
122 rue du faubourg Saint Jean  
ZA de l'AVELON - 60000 BEAUVAIS -  
FRANCE

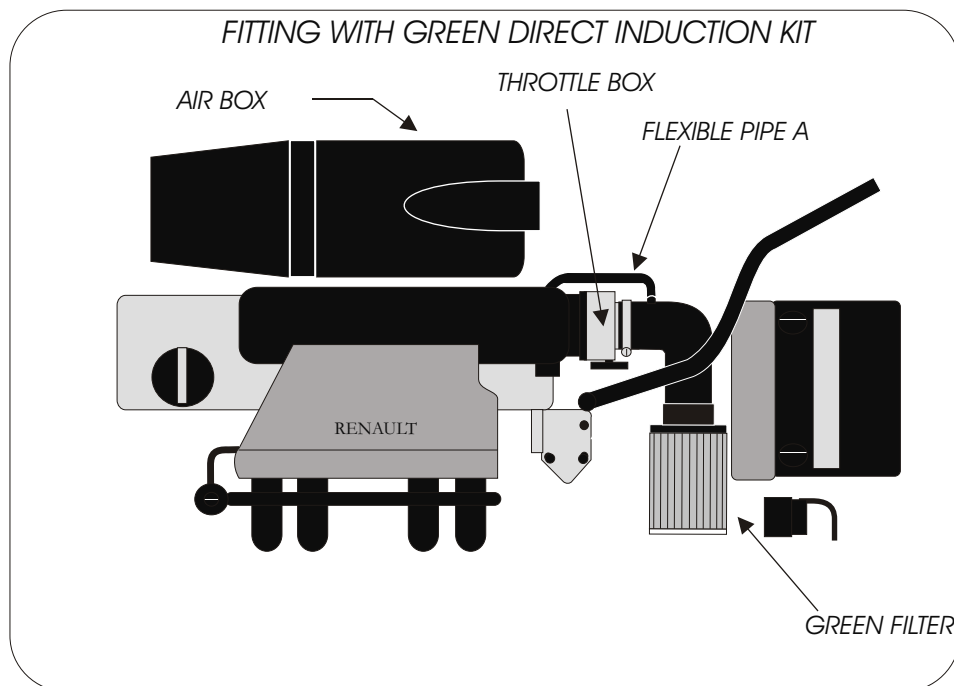
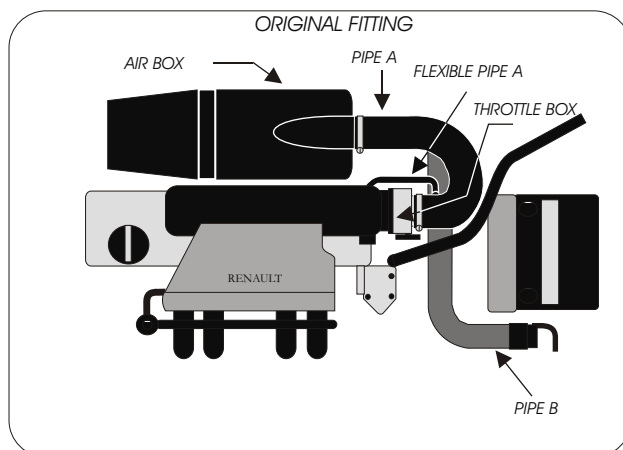
 00.33.3.44.02.64.64

 00.33.3.44.02.87.10

**Part n° :P187**

# FITTING INSTRUCTION

- 1)-Remove the pipes A and B.
- 2)-Fix and tighten the GREEN direct induction kit to the throttle box.
- 3)-Fix the flexible pipe A to the bended connector of GREEN direct induction kit.



### IMPORTANT:

The running of your engine is linked directly with the maintenance of the air filter. Clean your air filter every 7000 kms or 4500 miles with Green cleaning products.

### WARRANTY:

The air filter guarantee is for defects in materials and workmanship only. Guarantee is void if the air filter is damaged by an accident, unreasonable use, neglect, misuse, abuse, improper installation or other causes not arising out of defects in materials and workmanship. The induction kit is a technical product so it is necessary to have some basic mechanical skills. If problems do not hesitate to have your induction kit fitted by a professional.

Green Technical dept : TEL: 00.33.3.44.02.64.64