





## KIT ADMISSION DIRECTE DIRECT INDUCTION KIT

VW GOLF 3 1.6L 75 HP (multipoint inj.)  
SEAT IBIZA 1.4L (multipoint inj.)

S.A.S.  
**Chrono'Sport**  
122 rue du faubourg Saint Jean  
ZA de l'AVELON - 60000 BEAUVAIS -  
FRANCE

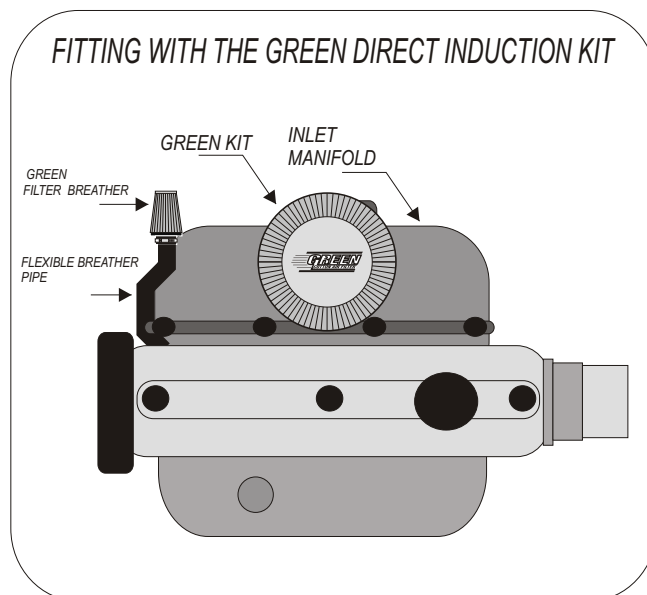
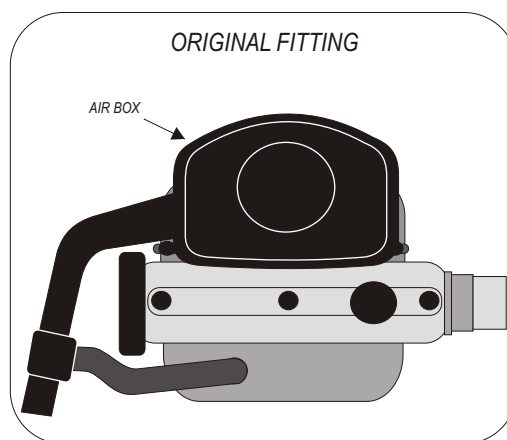
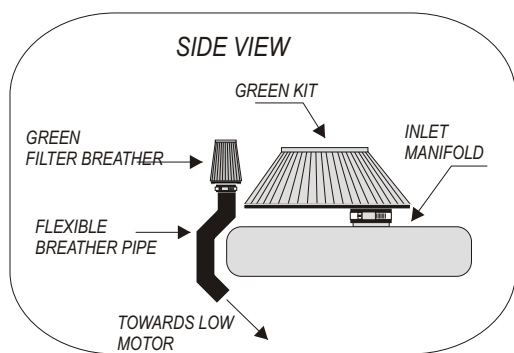
 00.33.3.44.02.64.64

 00.33.3.44.02.87.10

**Part n° :P192**

# FITTING INSTRUCTION

- 1)- Remove the complete air box.
- 2)- Fix the large GREEN kit onto the throttle box of the inlet manifold.
- 3)- Fix the small GREEN filter to the flexible breather pipe.
- 4)-With the plastic clamps, fix the flexible breather pipe in place.



### IMPORTANT:

The running of your engine is linked directly with the maintenance of the air filter. Clean your air filter every 7000 kms or 4500 miles with Green cleaning products.

### WARRANTY:

The air filter guarantee is for defects in materials and workmanship only. Guarantee is void if the air filter is damaged by an accident, unreasonable use, neglect, misuse, abuse, improper installation or other causes not arising out of defects in materials and workmanship. The induction kit is a technical product so it is necessary to have some basic mechanical skills. If problems do not hesitate to have your induction kit fitted by a professional.

Green Technical dept : TEL: 00.33.3.44.02.64.64