




KIT ADMISSION DIRECTE
DIRECT INDUCTION KIT

PONTIAC TRANS-SPORT
2.3L 16V

S.A.S.
Chrono'Sport
122 rue du faubourg Saint Jean
ZA de l'AVELON - 60000 BEAUVAIS -
FRANCE

 00.33.3.44.02.64.64

 00.33.3.44.02.87.10

Part n° :P238

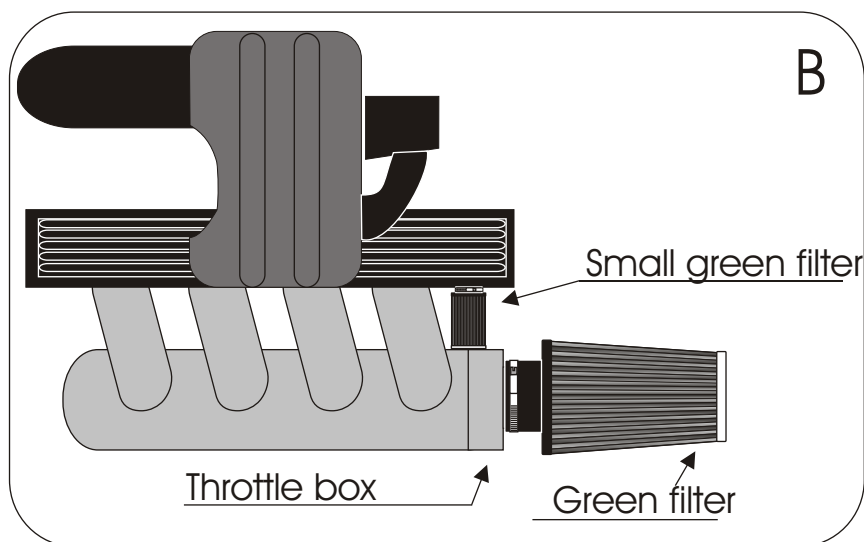
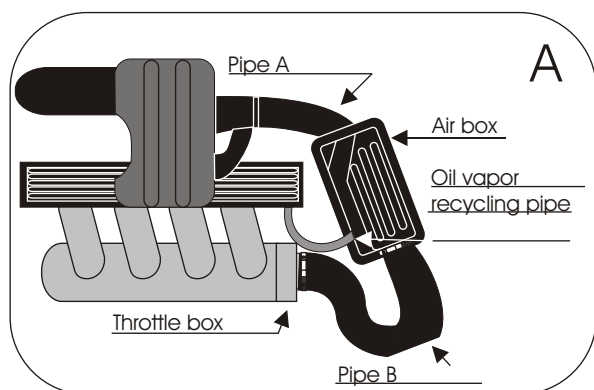
FITTING INSTRUCTION

Remove the pipes A, B and C and the oil vapor recycling pipe of the complete air box. (See diagram A)

Fix the small green filter in place of the oil vapor recycling pipe.

(See diagram B)

Fix the green filter to the throttle box in order that it does not touch a mechanical part (see diagram B)



IMPORTANT:

The running of your engine is linked directly with the maintenance of the air filter. Clean your air filter every 7000 kms or 4500 miles with Green cleaning products.

WARRANTY:

The air filter guarantee is for defects in materials and workmanship only. Guarantee is void if the air filter is damaged by an accident, unreasonable use, neglect, misuse, abuse, improper installation or other causes not arising out of defects in materials and workmanship. The induction kit is a technical product so it is necessary to have some basic mechanical skills. If problems do not hesitate to have your induction kit fitted by a professional.

Green Technical dept : TEL: 00.33.3.44.02.64.64