



KIT ADMISSION DIRECTE
DIRECT INDUCTION KIT

MGF 1.8L 120HP

S.A.S.
Chrono'Sport
122 rue du faubourg Saint Jean
ZA de l'AVELON - 60000 BEAUVAIS -
FRANCE
00.33.3.44.02.64.64
00.33.3.44.02.87.10

Part n° :P241

FITTING INSTRUCTION

Remove the air box , the pipe A but also the air fresh pipe. (See diagram A)

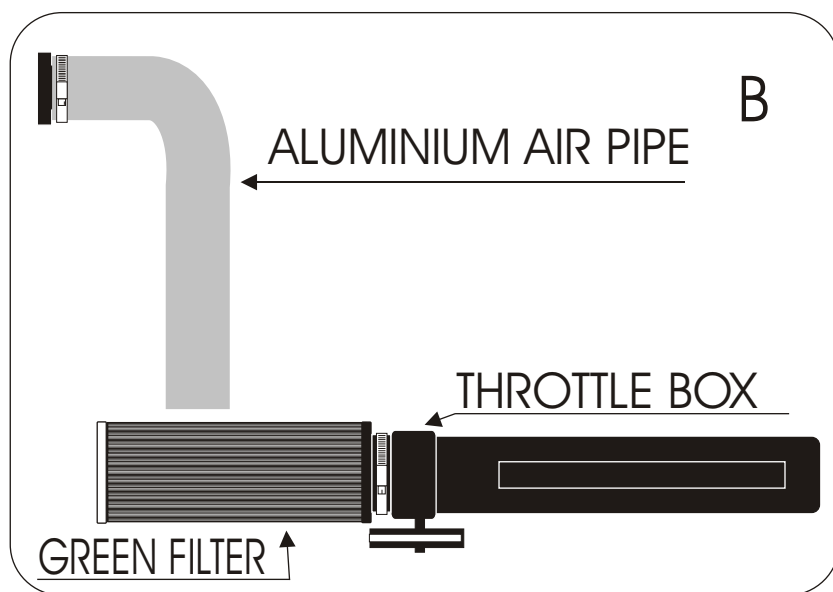
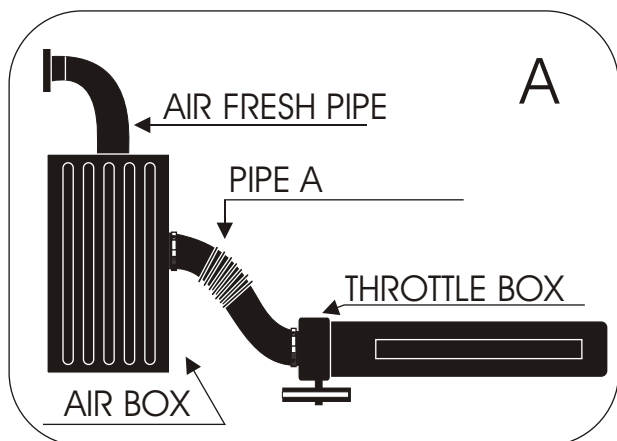
Fix the green filter to the throttle box (see diagram B)

Fix the aluminium pipe to the air entry then position it towards the green filter .(see diagram B)

Adjust the filter in order that it does not touch a mechanical part

CAUTION

To remove the air box, it is necessary to disconnect the essence filter from the support then reposition it.



IMPORTANT:

The running of your engine is linked directly with the maintenance of the air filter. Clean your air filter every 7000 kms or 4500 miles with Green cleaning products.

WARRANTY:

The air filter guarantee is for defects in materials and workmanship only. Guarantee is void if the air filter is damaged by an accident, unreasonable use, neglect, misuse, abuse, improper installation or other causes not arising out of defects in materials and workmanship. The induction kit is a technical product so it is necessary to have some basic mechanical skills. If problems do not hesitate to have your induction kit fitted by a professional.