





KIT ADMISSION DIRECTE
DIRECT INDUCTION KIT

RENAULT 25 V6 INJECTION
PHASE I

S.A.S.
Chrono'Sport
122 rue du faubourg Saint Jean
ZA de l'AVELON - 60000 BEAUVAIS -
FRANCE

 00.33.3.44.02.64.64

 00.33.3.44.02.87.10

Part n° :P243

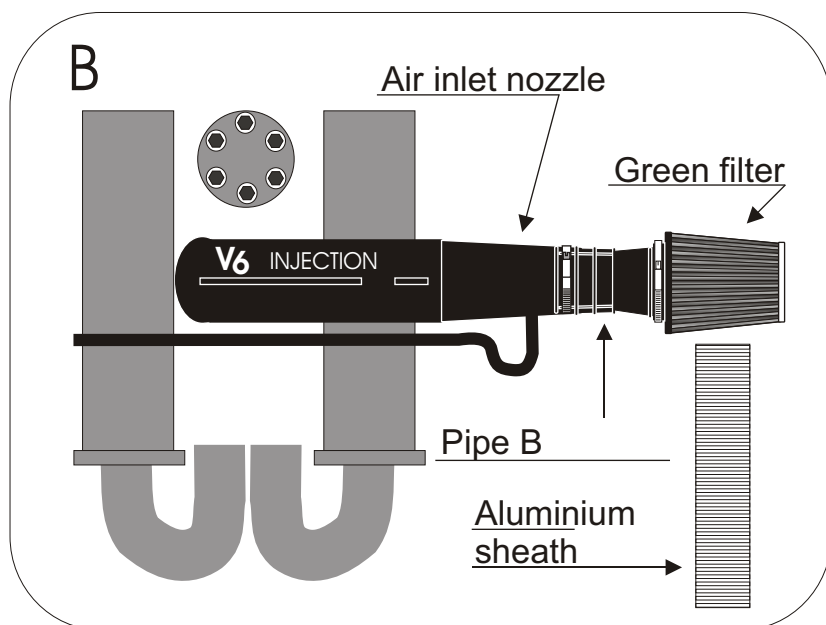
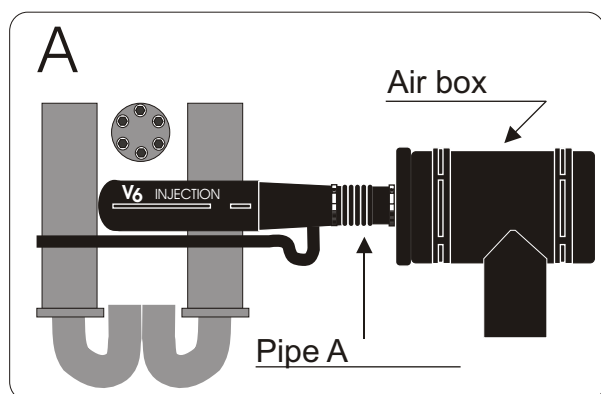
FITTING INSTRUCTION

Remove the air box and the pipe A. (See diagram A)

Fix the green filter with the pipe B to the air inlet nozzle.(see diagram B)

Position the filter towards the top then adjust it in order that it does not touch a mechanical part.

Fix the aluminium sheath to the lower part of the bumper then position it in order to have fresh air into the green filter.



IMPORTANT:

The running of your engine is linked directly with the maintenance of the air filter. Clean your air filter every 7000 kms or 4500 miles with Green cleaning products.

WARRANTY:

The air filter guarantee is for defects in materials and workmanship only. Guarantee is void if the air filter is damaged by an accident, unreasonable use, neglect, misuse, abuse, improper installation or other causes not arising out of defects in materials and workmanship. The induction kit is a technical product so it is necessary to have some basic mechanical skills. If problems do not hesitate to have your induction kit fitted by a professional.

Green Technical dept : TEL: 00.33.3.44.02.64.64