



KIT ADMISSION DIRECTE DIRECT INDUCTION KIT

RENAULT 25 V6 TURBO
PHASE I

S.A.S.
Chrono'Sport
122 rue du faubourg Saint Jean
ZA de l'AVELON - 60000 BEAUVAIS -
FRANCE
00.33.3.44.02.64.64
00.33.3.44.02.87.10

Part n° :P249

FITTING INSTRUCTION

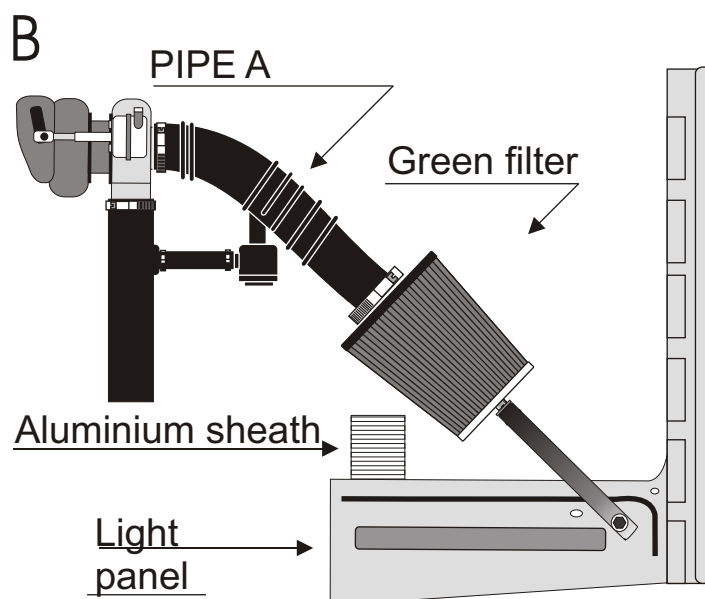
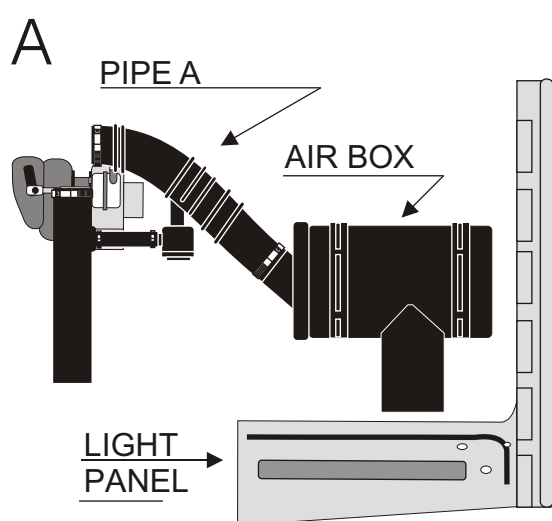
Remove the complete air box .(see diagram A)

Fix the green filter to the pipe A .(see diagram B)

Fix the green filter to the upper part of the light panel with the attaching bracket and the screws provided (see diagram B)

Adjust the filter in order that it does not touch a mechanical part

Fix the aluminium sheath to the lower part of the bumper then position it in order to have fresh air into the green filter..



IMPORTANT:

The running of your engine is linked directly with the maintenance of the air filter. Clean your air filter every 7000 kms or 4500 miles with Green cleaning products.

WARRANTY:

The air filter guarantee is for defects in materials and workmanship only. Guarantee is void if the air filter is damaged by an accident, unreasonable use, neglect, misuse, abuse, improper installation or other causes not arising out of defects in materials and workmanship. The induction kit is a technical product so it is necessary to have some basic mechanical skills. If problems do not hesitate to have your induction kit fitted by a professional.

Green Technical dept : TEL: 00.33.3.44.02.64.64