



KIT ADMISSION DIRECTE DIRECT INDUCTION KIT

SAAB 9000 2.3L 16V 200HP

S.A.S.

Chrono'Sport

122 rue du faubourg Saint Jean
ZA de l'AVELON - 60000 BEAUVAIS -
FRANCE



00.33.3.44.02.64.64



00.33.3.44.02.87.10

Part n° :P254

FITTING INSTRUCTION

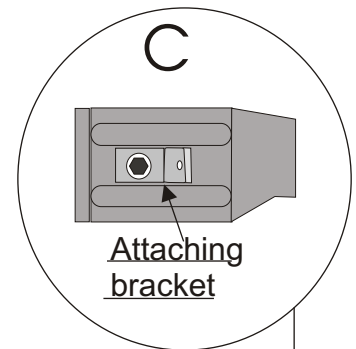
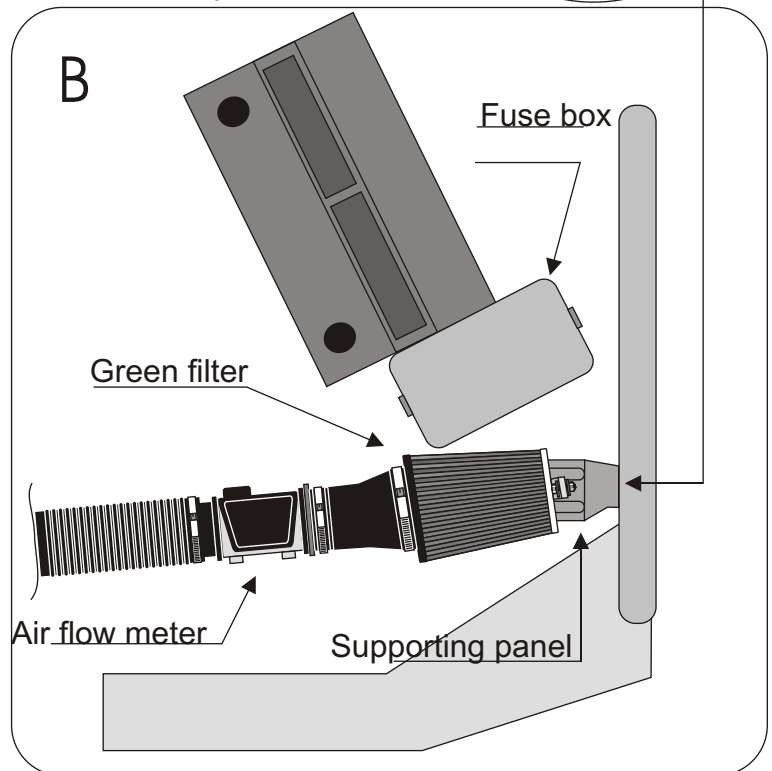
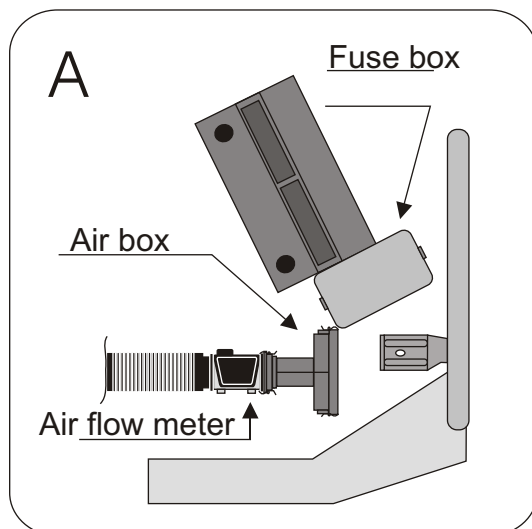
Remove the cap of the air box.

Disconnect the air flow meter from the cap of the air box.

Fix the green filter with the pipe to the air flow meter then position the filter towards the low. (see diagram B)

Fix the green filter with the attaching bracket provided in the kit to the supporting panel. (see diagram B)

Adjust the filter in order that it does not touch a mechanical part



IMPORTANT:

The running of your engine is linked directly with the maintenance of the air filter. Clean your air filter every 7000 kms or 4500 miles with Green cleaning products.

WARRANTY:

The air filter guarantee is for defects in materials and workmanship only. Guarantee is void if the air filter is damaged by an accident, unreasonable use, neglect, misuse, abuse, improper installation or other causes not arising out of defects in materials and workmanship. The induction kit is a technical product so it is necessary to have some basic mechanical skills. If problems do not hesitate to have your induction kit fitted by a professional.

Green Technical dept : TEL: 00.33.3.44.02.64.64