




## KIT ADMISSION DIRECTE DIRECT INDUCTION KIT

ALFA ROMEO 164 V6  
3.0L 200 HP

S.A.R.L

**Chrono'Sport**

122 rue du faubourg Saint Jean  
ZA de l'AVELON - 60000 BEAUVAIS -  
FRANCE

 00.33.3.44.02.64.64

 00.33.3.44.02.87.10

**Part n° :P281**

# FITTING INSTRUCTION

Remove the complete air box.

Disconnect the air flow meter from the air box.

Screw the adaptor to the air flow meter with the original screws.

(See diagram C)

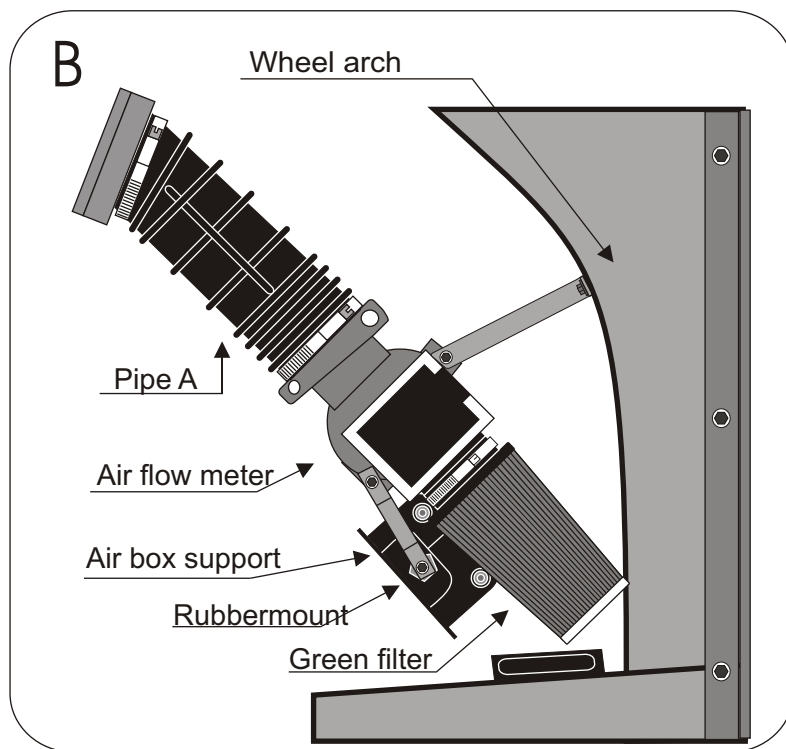
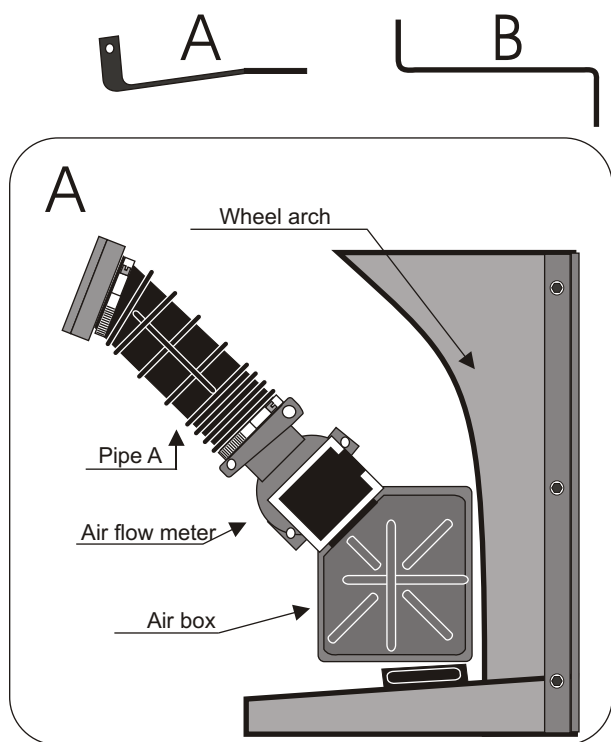
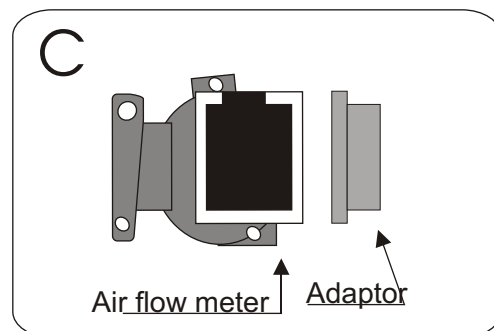
Fix the air flow meter onto the pipe A (see diagram B)

Fix it with the bracket A onto the wheel arch (drill the panel with a hole of diameter 4) (see diagram B) then fix the air flow meter

on the other side with the rubbermount and the bracket B

(see diagram B)

Fix the filter onto the air flow meter then adjust it so that it does not touch a mechanical part.



### IMPORTANT:

The running of your engine is linked directly with the maintenance of the air filter. Clean your air filter every 7000 kms or 4500 miles with Green cleaning products.

### WARRANTY:

The air filter guarantee is for defects in materials and workmanship only. Guarantee is void if the air filter is damaged by an accident, unreasonable use, neglect, misuse, abuse, improper installation or other causes not arising out of defects in materials and workmanship. The induction kit is a technical product so it is necessary to have some basic mechanical skills. If problems do not hesitate to have your induction kit fitted by a professional.

Green Technical dept : TEL: 00.33.3.44.02.64.64