



## KIT ADMISSION DIRECTE DIRECT INDUCTION KIT

LOTUS ELISE 1.8L 16S 120 HP

S.A.S  
**Chrono'Sport**  
122 rue du faubourg Saint Jean  
ZA de l'AVELON - 60000 BEAUVAIS -  
FRANCE  
00.33.3.44.02.64.64  
00.33.3.44.02.87.10

**Part n° :P320**

# FITTING INSTRUCTION

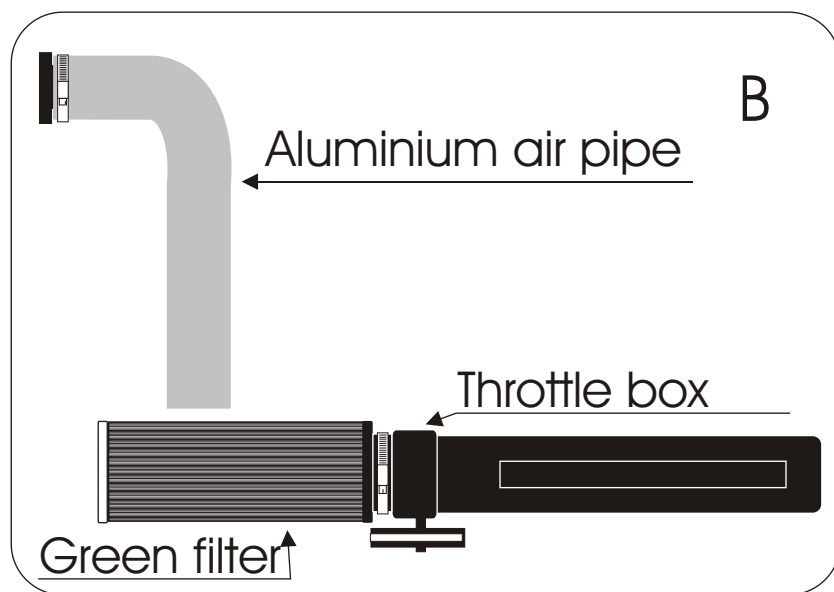
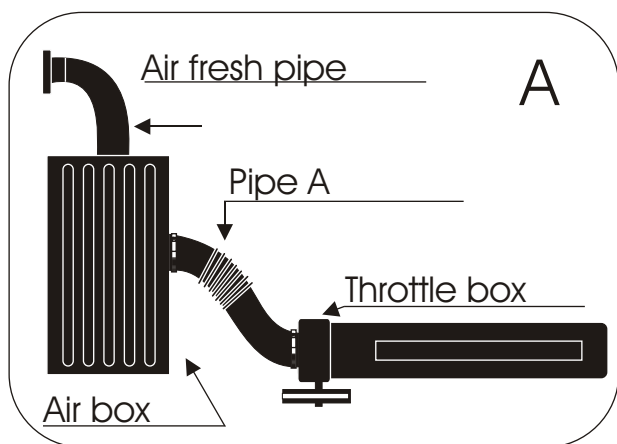
Remove the air box, the pipe A and the air fresh pipe. (See diagram A)

Remove the sealant off the entry of the throttle box.

Fix the green filter onto the throttle box (see diagram B)

Fix the aluminium pipe onto the air entry then adjust it towards the green filter.(see diagram B)

Adjust the filter so that it does not touch a mechanical part.



### IMPORTANT:

The running of your engine is linked directly with the maintenance of the air filter. Clean your air filter every 7000 kms or 4500 miles with Green cleaning products.

### WARRANTY:

The air filter guarantee is for defects in materials and workmanship only. Guarantee is void if the air filter is damaged by an accident, unreasonable use, neglect, misuse, abuse, improper installation or other causes not arising out of defects in materials and workmanship. The induction kit is a technical product so it is necessary to have some basic mechanical skills. If problems do not hesitate to have your induction kit fitted by a professional.

Green Technical dept : TEL: 00.33.3.44.02.64.64