





## KIT ADMISSION DIRECTE DIRECT INDUCTION KIT

CITROEN XM 2L  
MULTIPOINT INJECTION

S.A.S  
**Chrono'Sport**  
122 rue du faubourg Saint Jean  
ZA de l'AVELON - 60000 BEAUVAIS -  
FRANCE

 00.33.3.44.02.64.64

 00.33.3.44.02.87.10

**Part n° :P339**

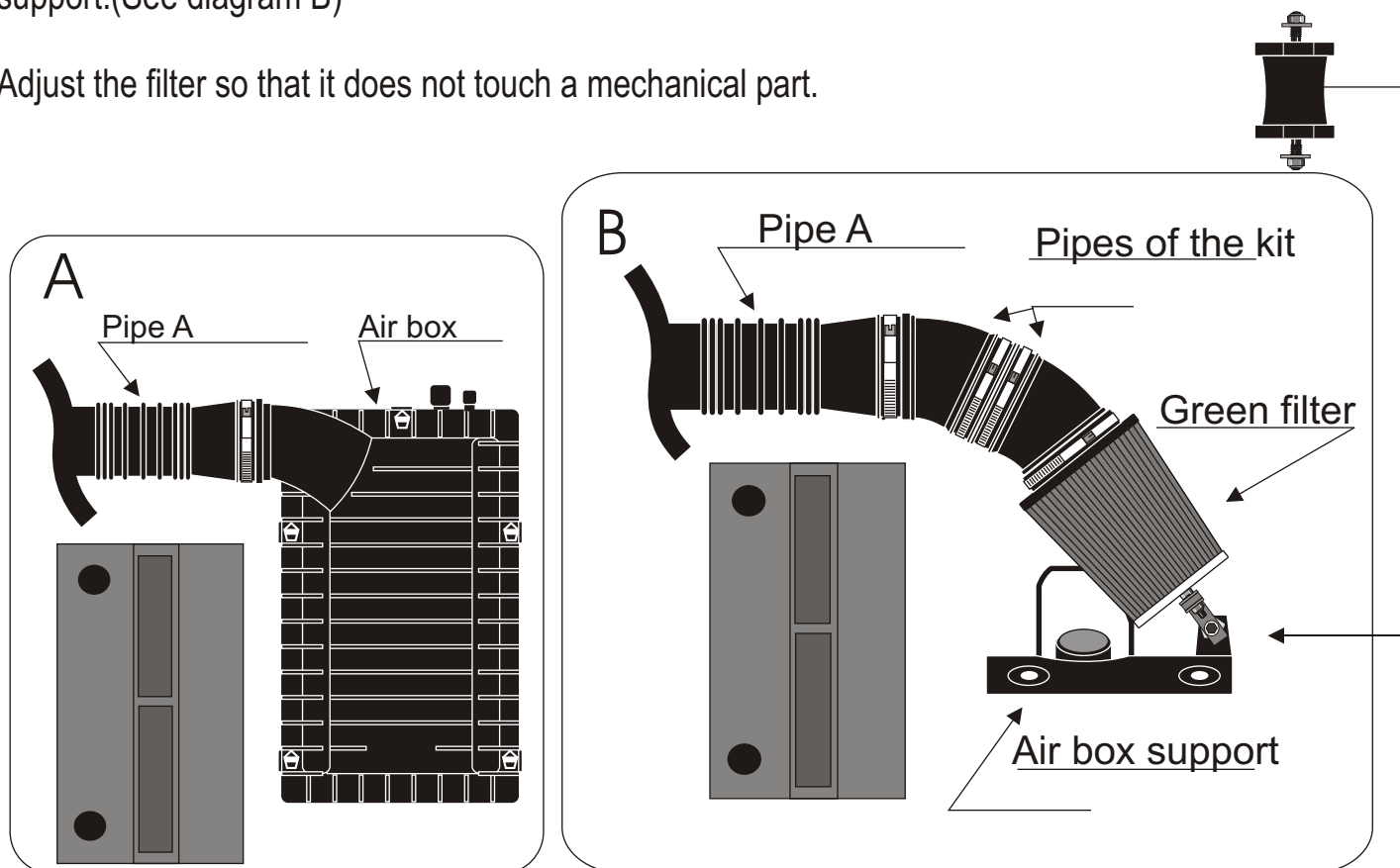
# FITTING INSTRUCTION

Remove the complete air box.

Fix the pipe of the kit onto the pipe A and onto the green filter.(see diagram B)

Fix the filter with the attaching bracket and the rubbermount provided on the screw of the original air box support.(See diagram B)

Adjust the filter so that it does not touch a mechanical part.



### IMPORTANT:

The running of your engine is linked directly with the maintenance of the air filter. Clean your air filter every 7000 kms or 4500 miles with Green cleaning products.

### WARRANTY:

*The air filter guarantee is for defects in materials and workmanship only. Guarantee is void if the air filter is damaged by an accident, unreasonable use, neglect, misuse, abuse, improper installation or other causes not arising out of defects in materials and workmanship. The induction kit is a technical product so it is necessary to have some basic mechanical skills. If problems do not hesitate to have your induction kit fitted by a professional.*