




KIT ADMISSION DIRECTE DIRECT INDUCTION KIT

RENAULT LAGUNA
1.6L & 1.8L 16V

S.A.S

Chrono'Sport

122 rue du faubourg Saint Jean
ZA de l'AVELON - 60000 BEAUVAIS -
FRANCE

 00.33.3.44.02.64.64

 00.33.3.44.02.87.10

Part n° :P343

FITTING INSTRUCTION

Remove the pipe A, the soundproof box and the air fresh pipe..

(See diagram A)

Remove the air filter and and replace it by the other filter provided in the kit.

(See diagram C)

Fix the greenfilter onto the air box. (See diagram B)

CAUTION

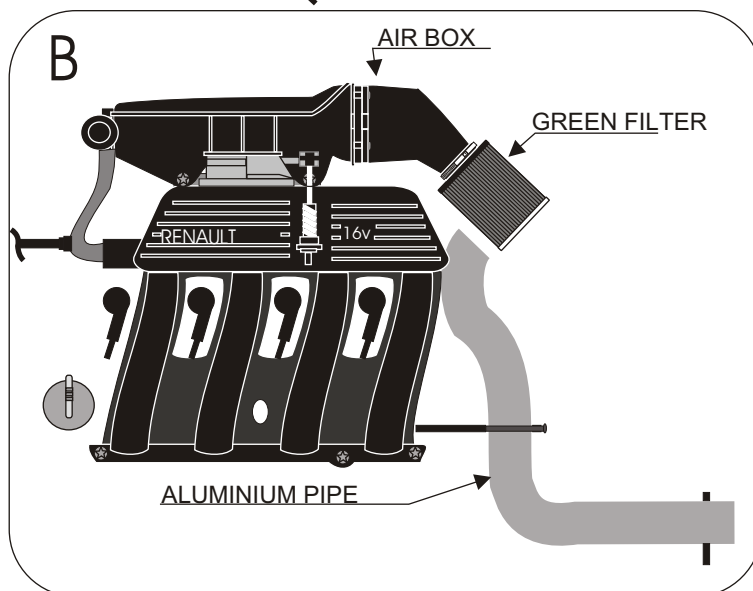
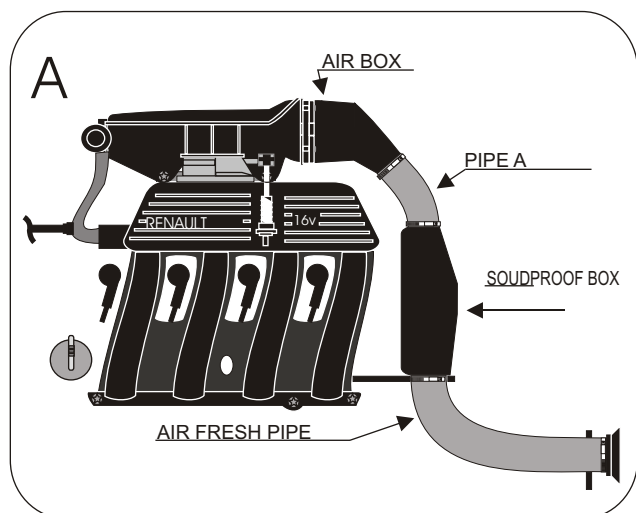
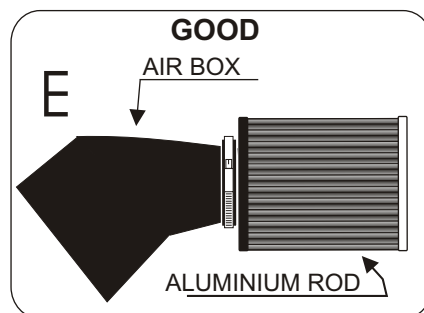
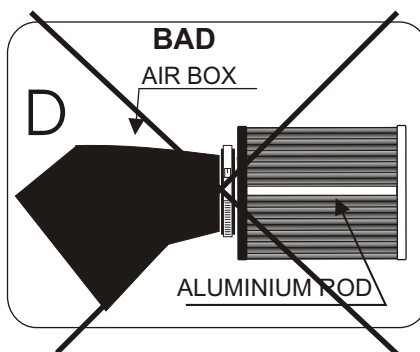
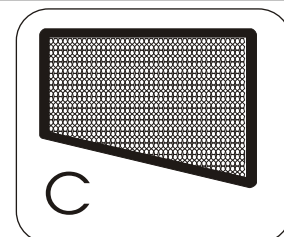
Adjust the filter so that the aluminium rod is horizontally placed

(see diagrams D & E)

Adjust the aluminium sheath in order to have fresh air onto the filter and fix it with the plastic clamps provided.

(See diagram B)

Adjust the filter so that it does not touch a mechanical part.



IMPORTANT:

The running of your engine is linked directly with the maintenance of the air filter. Clean your air filter every 7000 kms or 4500 miles with Green cleaning products.

WARRANTY:

The air filter guarantee is for defects in materials and workmanship only. Guarantee is void if the air filter is damaged by an accident, unreasonable use, neglect, misuse, abuse, improper installation or other causes not arising out of defects in materials and workmanship. The induction kit is a technical product so it is necessary to have some basic mechanical skills. If problems do not hesitate to have your induction kit fitted by a professional.

Green Technical dept : TEL: 00.33.3.44.02.64.64