



## KIT ADMISSION DIRECTE DIRECT INDUCTION KIT

CITROEN BX GTI

S.A.S  
**Chrono'Sport**  
122 rue du faubourg Saint Jean  
ZA de l'AVELON - 60000 BEAUVAIS -  
FRANCE  
00.33.3.44.02.64.64  
00.33.3.44.02.87.10

Part n° :P352

# FITTING INSTRUCTION

Remove the complete air box.

Disconnect the air flow meter from the air box.  
(See diagram B)

Fix the adaptor onto the air flow meter with the screws provided.(see diagram B)

Fix the bracket onto the air flow meter.  
(See diagram B)

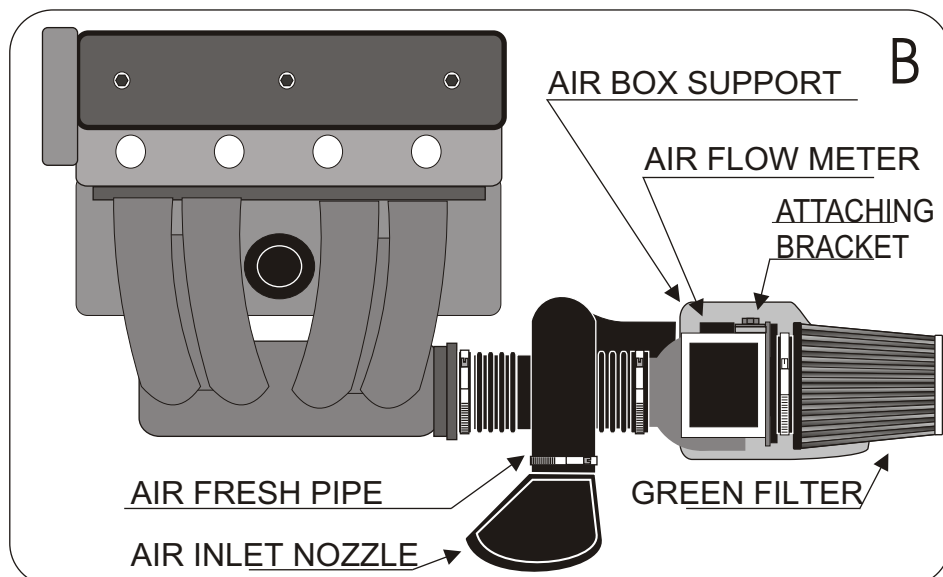
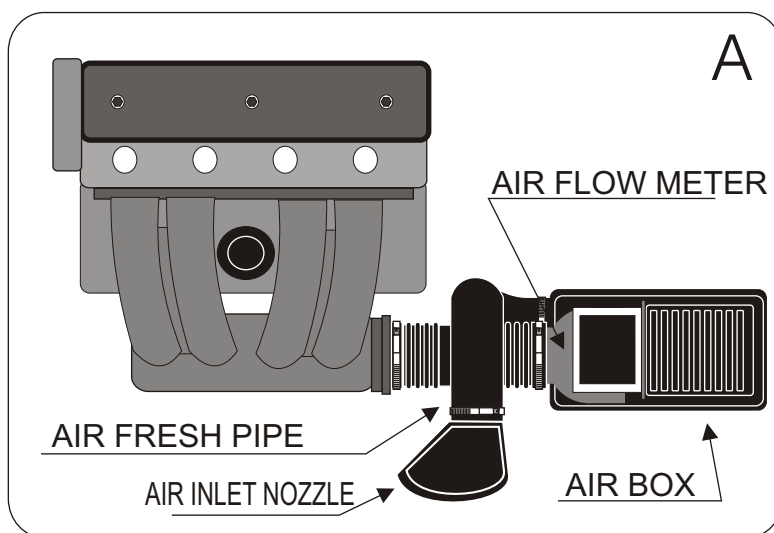
Adjust the air flow meter with the attaching bracket then drill a hole of diameter 8.5mm on the air box support.(see diagram B)

Fix the bracket onto the air box support with the screw provided.(see diagram B)

Fix the filter onto the adaptor  
(see diagram B)

Fix the air fresh pipe with the plastic clamp provided.

Adjust the filter in order that it does not touch a mechanical part.



### IMPORTANT:

The running of your engine is linked directly with the maintenance of the air filter. Clean your air filter every 7000 kms or 4500 miles with Green cleaning products.

### WARRANTY:

The air filter guarantee is for defects in materials and workmanship only. Guarantee is void if the air filter is damaged by an accident, unreasonable use, neglect, misuse, abuse, improper installation or other causes not arising out of defects in materials and workmanship. The induction kit is a technical product so it is necessary to have some basic mechanical skills. If problems do not hesitate to have your induction kit fitted by a professional.