





KIT ADMISSION DIRECTE DIRECT INDUCTION KIT

RENAULT TWINGO MULTIP. INJ.
(Engine D7F) 2000>

S.A.S
Chrono'Sport
122 rue du faubourg Saint Jean
ZA de l'AVELON - 60000 BEAUVAIS -
FRANCE

 00.33.3.44.02.64.64

 00.33.3.44.02.87.10

Part n° :P358

FITTING INSTRUCTION

Remove the pipe A and the fresh air pipe.(see diagram A)

Adjust the heat screen on the fresh air pipe support then drill it with a hole of diameter 6.5.

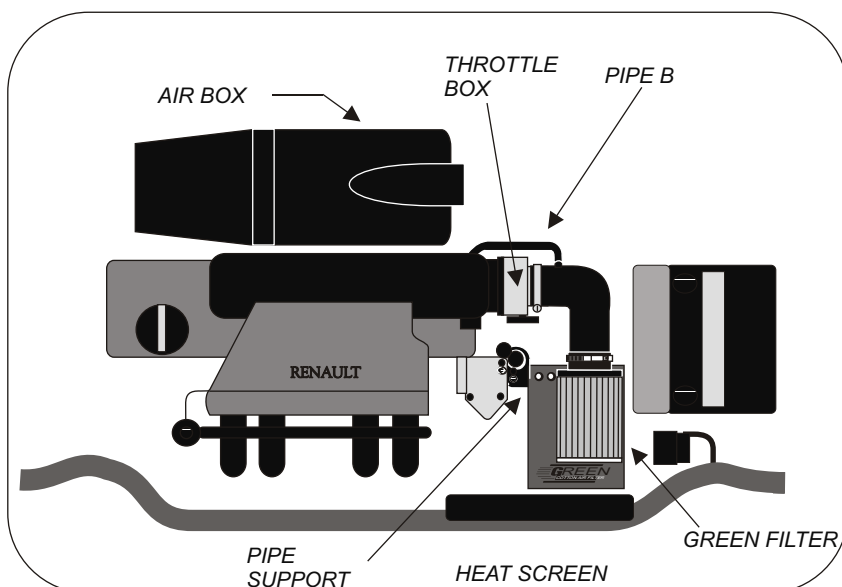
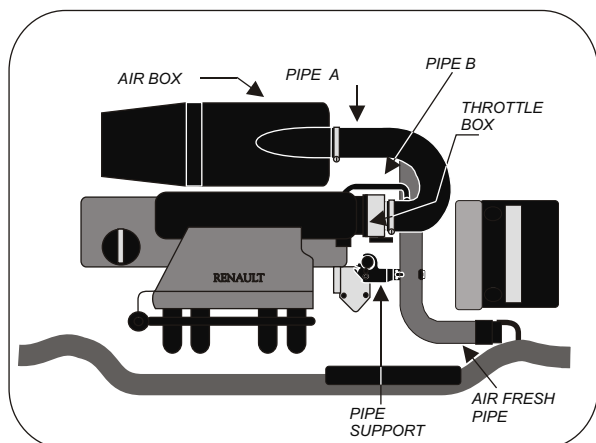
Fix the heat screen with the screws provided onto the fresh air pipe support.(see diagram B)

Fix the pipe of the kit onto the throttle box.(see diagram B)

Fix the green filter onto the pipe of the kit with the sleeve provided.(see diagram B)

Fix the pipe B onto the pipe of the kit with the connector provided.(see diagram B)

Adjust the filter in order that it does not touch a mechanical part.



IMPORTANT:

The running of your engine is linked directly with the maintenance of the air filter. Clean your air filter every 7000 kms or 4500 miles with Green cleaning products.

WARRANTY:

The air filter guarantee is for defects in materials and workmanship only. Guarantee is void if the air filter is damaged by an accident, unreasonable use, neglect, misuse, abuse, improper installation or other causes not arising out of defects in materials and workmanship. The induction kit is a technical product so it is necessary to have some basic mechanical skills. If problems do not hesitate to have your induction kit fitted by a professional.

Green Technical dept : TEL: 00.33.3.44.02.64.64