



KIT ADMISSION DIRECTE DIRECT INDUCTION KIT

PEUGEOT 306 CABRIOLET
2L 8V 125HP 94>

S.A.S

Chrono'Sport

122 rue du faubourg Saint Jean
ZA de l'AVELON - 60000 BEAUVAIS -
FRANCE



00.33.3.44.02.64.64



00.33.3.44.02.87.10

Part n° :P366

FITTING INSTRUCTION

Remove the pipe A.(see diagram A)

Remove the pipe B.(see diagram A)

Remove the accelerator cable bracket to drill it.(see diagram C)

CAUTION there are two sort of fitting : one with casted aluminium and one with casted metal

Once drilled, adjust the accelerator bracket, then turn the two right injectors of a quarter turn to avoid a contact of the injector connector against the direct induction kit.

Fix the pipe D of the kit onto the throttle box. (See diagram B)

CAUTION to adjust the clamp, the tightening head must be under the throttle box to avoid a sticking of the accelerator mecanism.

Fix the pipe E of the kit onto the pipe D with the sleeve provided.(see diagram B)

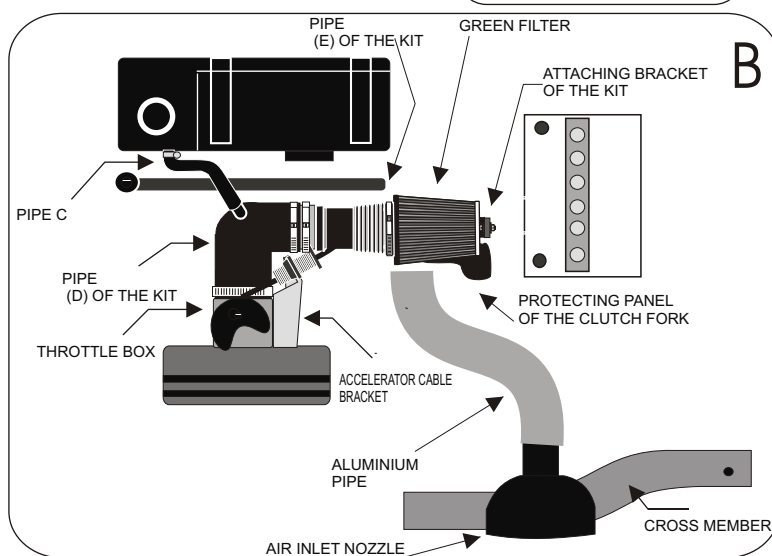
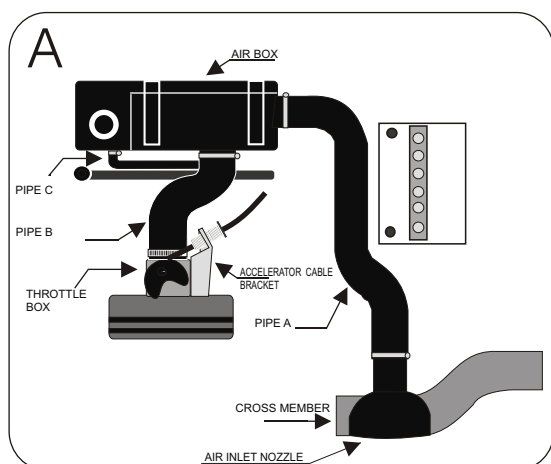
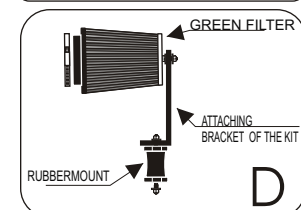
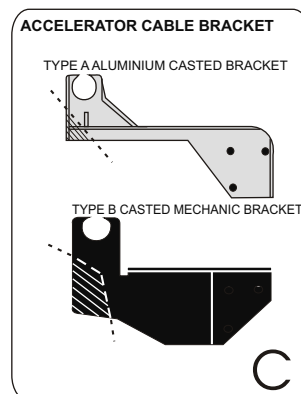
Fix the pipe C onto the pipe D with the connector providedi. (See diagram B)

Fix the green filter onto the pipe E with the sleeve provided.(see diagram B)

Fix the GREEN filter onto protecting panel of the clutch fork with the bracket, the screws and the rubbermount provided.(see diagram D)

Fix the aluminium pipe onto the air inlet nozzle, then adjust it towards the filter and fix it with the plastic clamps provided.(see diagram B)

Adjust the filter so that it does not touch a mechanical part.



IMPORTANT:

The running of your engine is linked directly with the maintenance of the air filter. Clean your air filter every 7000 kms or 4500 miles with Green cleaning products.

WARRANTY:

The air filter guarantee is for defects in materials and workmanship only. Guarantee is void if the air filter is damaged by an accident, unreasonable use, neglect, misuse, abuse, improper installation or other causes not arising out of defects in materials and workmanship. The induction kit is a technical product so it is necessary to have some basic mechanical skills. If problems do not hesitate to have your induction kit fitted by a professional.

Green Technical dept : TEL: 00.33.3.44.02.64.64