



KIT ADMISSION DIRECTE DIRECT INDUCTION KIT

FIAT PUNTO 1.2L 8S 60 HP
2000

S.A.S

Chrono'Sport

122 rue du faubourg Saint Jean
ZA de l'AVELON - 60000 BEAUVAIS -
FRANCE



00.33.3.44.02.64.64



00.33.3.44.02.87.10

Part n° :P377

FITTING INSTRUCTION

Remove the complete air box and the air fresh pipe.(See diagram A)

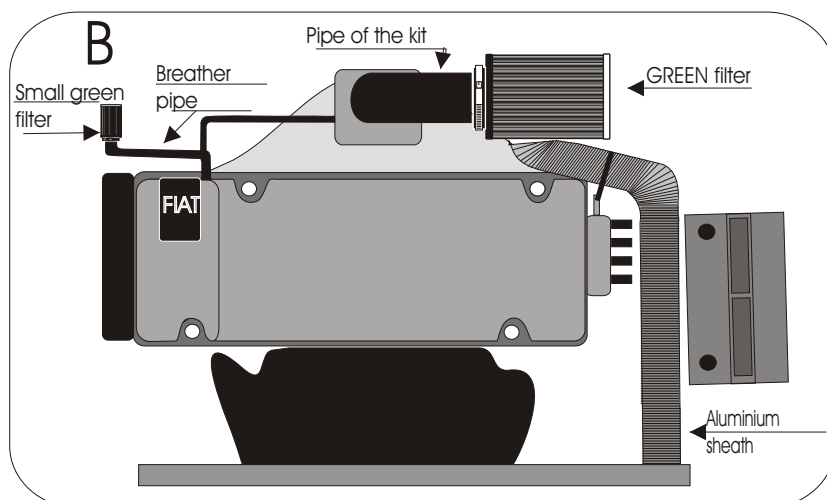
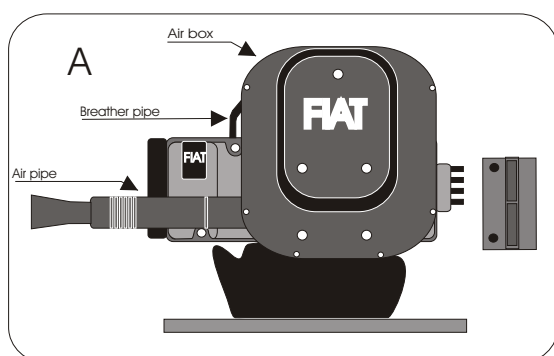
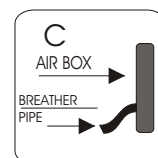
Disconnect the breather pipe of the air box.(see diagram C)

Fix the pipe of the kit and the GREEN filter with the clamps and the metallic sleeve provided onto the carburetor cap.(see diagram B)

Fix the small GREEN filter onto the breather pipe with the connector and the clamps provided. (See diagram B)

Fix the aluminium pipe in order to have fresh air into the filter then fix it with the plastic clamps provided.(see diagram B)

Adjust the filter so that it does not touch the filter.



IMPORTANT:

The running of your engine is linked directly with the maintenance of the air filter. Clean your air filter every 7000 kms or 4500 miles with Green cleaning products.

WARRANTY:

The air filter guarantee is for defects in materials and workmanship only. Guarantee is void if the air filter is damaged by an accident, unreasonable use, neglect, misuse, abuse, improper installation or other causes not arising out of defects in materials and workmanship. The induction kit is a technical product so it is necessary to have some basic mechanical skills. If problems do not hesitate to have your induction kit fitted by a professional.

Green Technical dept : TEL: 00.33.3.44.02.64.64